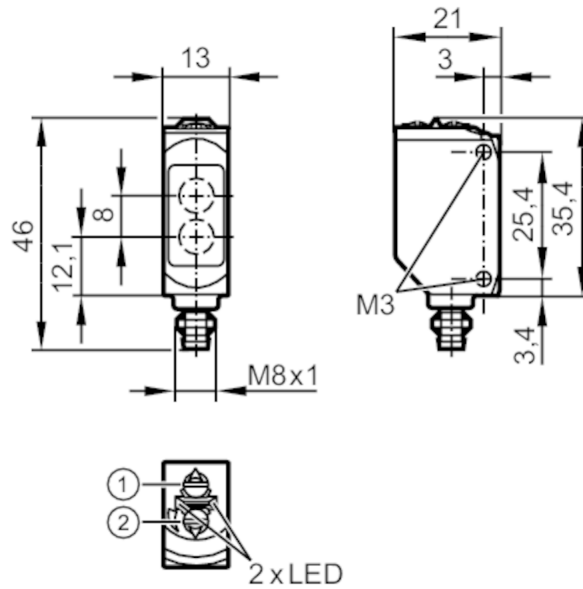


# O6P202



## Retro-reflective sensor

O6P-FPKG/AS/3P



- 1: output function switch
  - 2: potentiometer sensitivity
- Receiver in upper lens  
transmitter in lower lens



Product characteristics	
Type of light	red light
Housing	rectangular
Application	
System	polarization filter
Function principle	Retro-reflective sensor
Electrical data	
Operating voltage [V]	10...30 DC
Current consumption [mA]	12; ((24 V))
Protection class	III
Reverse polarity protection	yes
Type of light	red light
Wave length [nm]	633
Outputs	
Electrical design	PNP
Output function	light-on/dark-on mode; (selectable)
Max. voltage drop switching output DC [V]	2.5
Permanent current rating of switching output DC [mA]	100
Switching frequency DC [Hz]	1000
Short-circuit protection	yes
Type of short-circuit protection	yes (non-latching)



## Retro-reflective sensor

O6P-FPKG/AS/3P

Monitoring range	
Range referred to prismatic reflector [m]	0.05...5; (Prismatic reflector Ø 80 E20005)
Range adjustable	yes
Max. light spot diameter [mm]	150
Light spot dimensions refer to	at maximum range
Polarization filter available	yes

Operating conditions	
Ambient temperature [°C]	-25...60
Storage temperature [°C]	-40...70
Max. relative air humidity [%]	50; (70° C)
Protection	IP 65; IP 67

Tests / approvals	
EMC	EN 60947-5-2
MTTF [years]	895
UL approval	UL approval number E001

Mechanical data	
Weight [g]	18.2
Housing	rectangular
Dimensions [mm]	46 x 13 x 21
Material	housing: ABS; PPSU
Lens material	PMMA
Lens alignment	Side sensing
Sealing material	EPDM
Tightening torque [Nm]	0.5

Displays / operating elements		
Display	Switching status	1 x LED, yellow
	Power	1 x LED, green

Remarks	
Remarks	cULus - Class 2 source required
Pack quantity	1 pcs.

### Electrical connection

Connector: 1 x M8; coding: A; Locking: brass, coated; sealing: EPDM





## Retro-reflective sensor

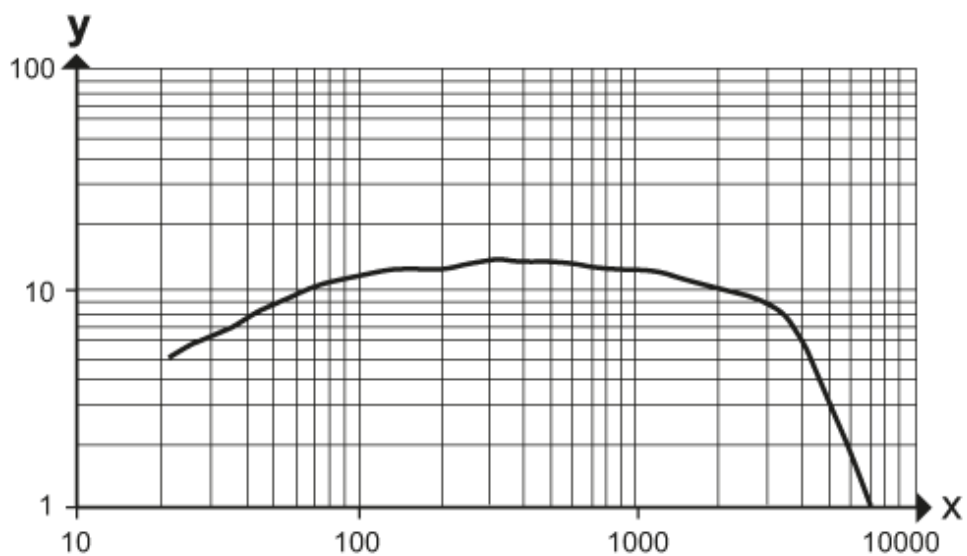
O6P-FPKG/AS/3P

### Connection



### Diagrams and graphs

excess gain graph



x: distance [mm]

y: excess gain factor