

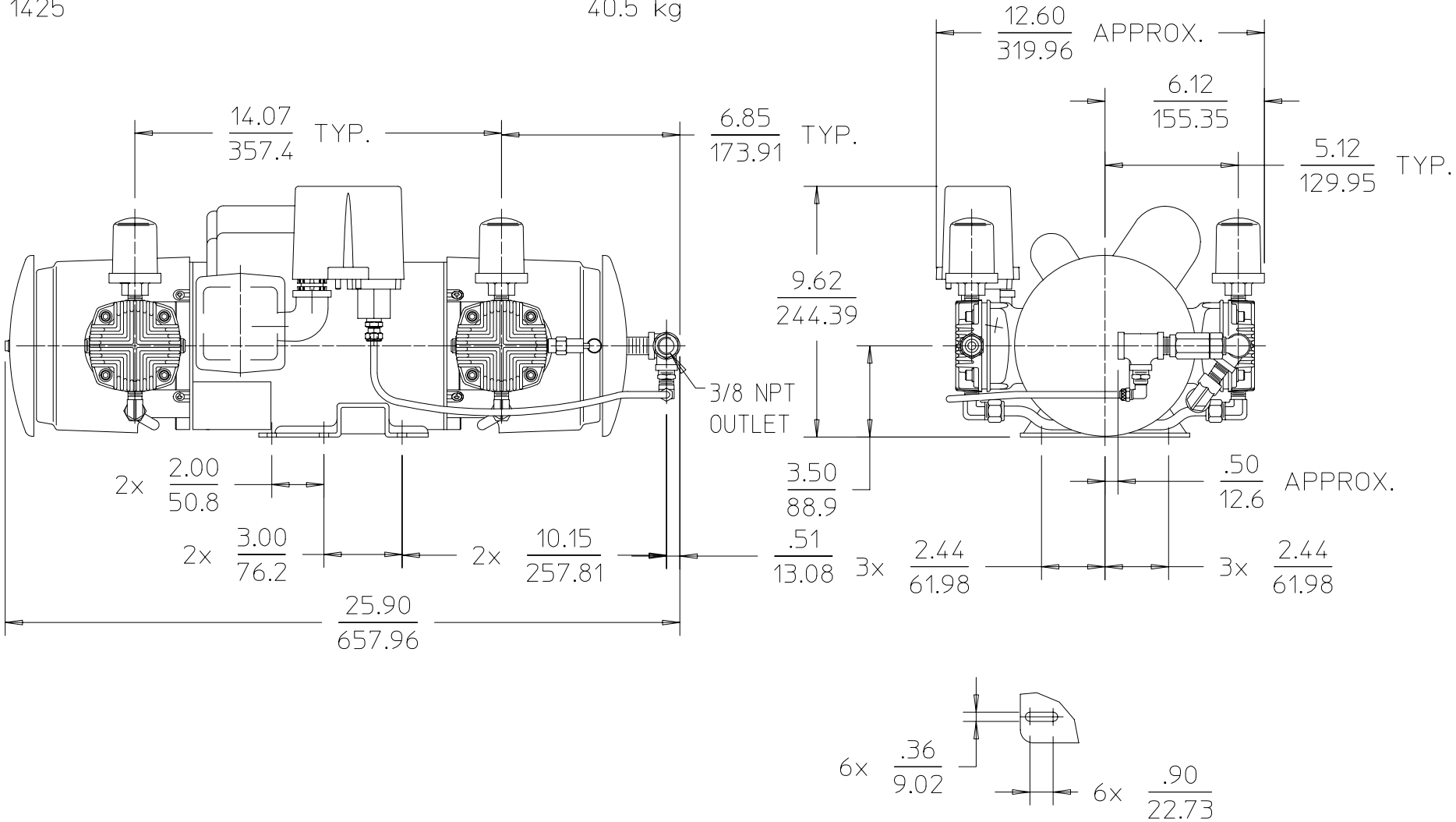
# Product Specifications



GAST MANUFACTURING, INC.  
 A Unit of IDEX Corporation  
 Post Office Box 97  
 Benton Harbor, Michigan  
 Ph: 269/926-6171  
 Fax: 269/925-8288

Model	V	HP	kW	Hz	Part Number:	Revision
8LDF-46S-M850X	115/230	2.0	2.74	50/60	RTD732	A

1725  
 75-81 dBA  
 +5 °C  
 +40  
 20-80  
 90 lbs.  
 40.5 kg



**NOTES:**

1. ALL DIMENSIONS ARE FOR REFERENCE USE ONLY.
2. PRODUCT DIMENSIONS: U.S. IMPERIAL (inches) METRIC (mm).
3. TECHNICAL DATA SUBJECT TO CHANGE WITHOUT NOTICE.
4. ENVIRONMENT: CLEAN DUST FREE.
5. FACTORY SETTING: CUT-IN 40 PSI± 2 PSI/CUT-OUT 50 PSI ±2 PSI.

**PRODUCT PERFORMANCE**

