

## Technical data sheet

Suppression Technology · Valve Suppressors - special function

---

**Adjustable male, form A (18 mm) 2pol. + 2×PE, IP65**

**Switching amplifier without galvanic insulation**

**Ground wire terminator, short-circuit-proof, 0°/180° mounting possible**



---

### Identification

Type	LVER-V10-5509 DC 24V
Part No.	705509

---

### Product version

Datasheet version	00
-------------------	----

---

### Technical data

Type of function	Switching amplifier
Protection device	Suppressor diode
Rated voltage $U_N$	DC 24 V
Nominal voltage range	DC 18 V – 30 V
Current Consumption	21 mA
Cut-off peak	≤52 V
Control current	10 mA
Switching current	0.005 A – 2 A, short circuit protection
Switching frequency	Max. 20 Hz
Switch-on delay	<100 μs
Switch-off delay	<200 μs
Holding Capacity	100 VA
Connecting lead Ø	5 – 9 mm
Fitting	PG 9
Short-circuit protection	Short circuit protected

---

### General

Design	A (18 mm)
--------	-----------

---

#### United Kingdom: LÜTZE Ltd.

Unit 3, Sandy Hill Park  
Sandy Way, Amington • GB-Tamworth, Staffs B77 4DU  
Tel. +44 (0)1827 31333-0 • Fax +44 (0)1827 31333-2  
www.lutze.com • sales.gb@lutze.co.uk

#### Germany: Friedrich Lütze GmbH

Postfach 12 24 (PLZ 71366) • Bruckwiesenstraße 17-19 • D-71384 Weinstadt  
Tel. +49 (0)7151 6053-0 • Fax +49 (0)7151 6053-277(-288)  
www.luetze.de • info@luetze.de

10.11.2021 • Subject to technical modification

Part No. 705509 • Datasheet version: 00

page 1 of 3



SYSTEMATIC TECHNOLOGY

## Technical data sheet

### Suppression Technology · Valve Suppressors - special function

---

Status indication	LED yellow
Amperage range	≤2 A
Insulation resistance	>100 MΩ
Pole number	3
Housing material	PA
Color of the housing	black
Contact material	CuSn tin-plated
Material seal	NBR
Material sealing ring	NBR
Mechanical service life	>100 insertion cycles
Degree of pollution	3
Protection class	IP65
Mounting	Breakaway torque 0.4 Nm
Connection type	Screw terminal
Connection cross-section	0.5 – 1.5 mm <sup>2</sup>
Connection cross-section	AWG 20 – AWG 16
Operation temperature range	-25 °C ... +60 °C
Storage temperature range	-25 °C ... +80 °C
Dimensions (w × h × d)	28.0 mm × 40.0 mm × 58.0 mm
Weight/unit	0.039 kg
PU (units)	10

---

#### Certifications/Standards

Standards	EN 175301-803 ISO 4400
-----------	---------------------------

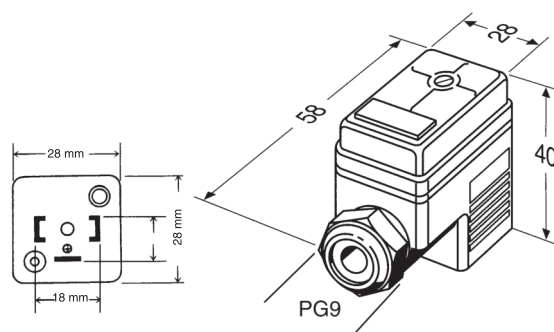
---

#### Accessories

Accessories	Marker holder BZT, white: Part-No. 681315   BZT 0920   PU: 100 units
-------------	--

---

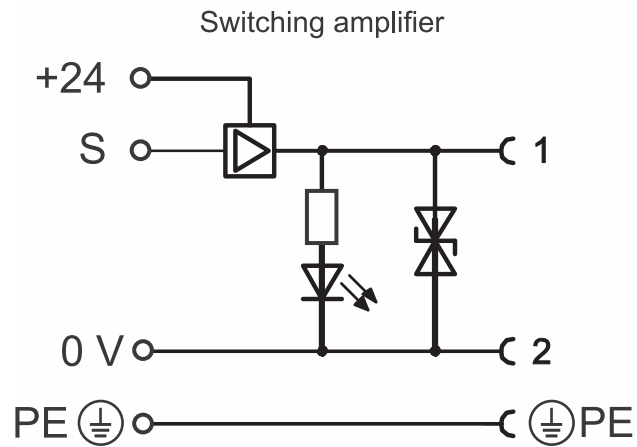
#### Dimensions



# Technical data sheet

## Suppression Technology · Valve Suppressors - special function

### PIN assignment



### Mounting diagram

