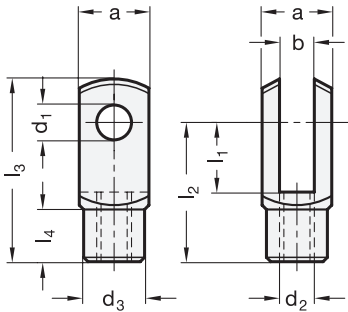
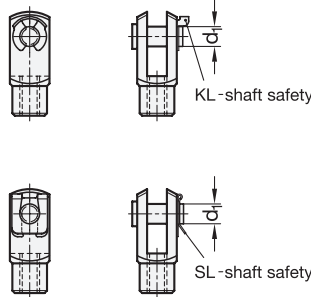


Fork head DIN 71752



Fork joints GN 751



4 Type

- KL Pin with side mount ring
- SL Pin with safety clip

1 d ₁ H9/h11	2 l ₁	3 d ₂	a	b	d ₃	l ₂		l ₃		l ₄	
4	8	16*	M 4	8	4	8	16	24	21	29	6
5	10	20*	M 5	10	5	9	20	30	26	36	7,5
6	12	24*	M 6	12	6	10	24	36	31	43	9
8	16	32*	M 8	16	8	14	32	48	42	58	12
10	20	40*	M 10	20	10	18	40	60	52	72	15
12	24	48*	M 12	24	12	20	48	72	62	86	18
14	28	56*	M 14	27	14	24	56	85	72	101	22,5
16	32	64*	M 16	32	16	26	64	96	83	115	24

* not available from stock, requires a minimum order quantity

Specification

- Aluminium anodized, black **AL**
- KL- / SL-shaft safetys
 - Spring steel
 - hardened and tempered
 - zinc plated, blue passivated
- ISO-Fundamental Tolerances → Page 1132
- RoHS compliant

Information

Fork joints GN 751 in Aluminium consist of a fork head according DIN 71752 and a pin with KL-shaft safety or SL-shaft safety.

Owing to the anodized coating of the fork head and of the bolt, the bearing is virtually non-wearing.

see also...

- Fork joints (Steel) GN 751 → Page 952
- Stainless Steel-Fork joints GN 751 → Page 955

Fork joint	1 d ₁
	2 l ₁
	3 d ₂
1 2 3 4 5 GN 751-8-16-M8-SL-AL	4 Type
	5 Material

Fork head without pin	1 d ₁
	2 l ₁
1 2 3 4 DIN 71752-12-24-M12-AL	3 d ₂
	4 Material