













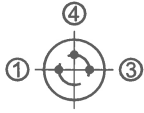



Order table (continuation)

Transmitter IT-..., ITL-...	Transmitter IT-...HP..., ITH-...	Transmitter ITA-...	Receiver	Connection	Material	Outline-drawing	Picture
IT-AS-3QD				plug M8	polycarbonate	picture 10	
			IR-AS-3QD	plug M8	polycarbonate	picture 11	
IT-SLA-5m	IT-SLAHP-5m	ITA-LLA-5m	IR-SLA-5m	cable 5m ¹	aluminium	picture 12	
IT-SLA-15m	IT-SLAHP-15m	ITA-LLA-15m	IR-SLA-15m	cable 15m ¹			
IT-SLA-3QD	IT-SLAHP-3QD	ITA-LLA-B3	IR-SLA-3QD	plug M8	aluminium	picture 13	
ITL-TSP-5	ITH-TSP-5	ITA-TSP-5	IRL-TSP-5	cable 5m ¹	polycarbonate	picture 14	
ITL-TSP-15	ITH-TSP-15	ITA-TSP-15	IRL-TSP-15	cable 15m ¹			
ITL-TSP-B3	ITH-TSP-B3	ITA-TSP-B3	IRL-TSP-B3	plug M8	polycarbonate	picture 15	
ITL-SSP-5	ITH-SSP-5	ITA-SSP-5	IRL-SSP-5	cable 5m ¹	polycarbonate	picture 16	
ITL-SSP-15	ITH-SSP-15	ITA-SSP-15	IRL-SSP-15	cable 15m ¹			
ITL-SSP-B3	ITH-SSP-B3	ITA-SSP-B3	IRL-SSP-B3	plug M8	polycarbonate	picture 17	
ITL-CSN-5	ITH-CSN-5	ITA-CSN-5	IRL-CSN-5	cable 5m ¹	nickel plated brass	picture 18	
ITL-CSN-15	ITH-CSN-15	ITA-CSN-15	IRL-CSN-15	cable 15m ¹			
ITL-CSV-5	ITH-CSV-5	ITA-CSV-5	IRL-CSV-5	cable 5m ¹	stainless steel	picture 19	
ITL-CSV-15	ITH-CSV-15	ITA-CSV-15	IRL-CSV-15	cable 15m ¹			
ITL-CSN-B3	ITH-CSN-B3	ITA-CSN-B3	IRL-CSN-B3	plug M8	nickel plated brass	picture 20	
ITL-CSV-B3	ITH-CSV-B3	ITA-CSV-B3	IRL-CSV-B3	plug M8	stainless steel		
ITL-CSN-C4	ITH-CSN-C4	ITA-CSN-C4	IRL-CSN-C4	plug M12	nickel plated brass	picture 20	
ITL-CSV-C4	ITH-CSV-C4	ITA-CSV-C4	IRL-CSV-C4	plug M12	stainless steel		

¹) other cable length on request

Connection diagram

Cable version				Plug version			
							
transmitter		receiver		transmitter		receiver	
core-colour	connection	core-colour	connection	PIN	connection	PIN	connection
red	+	yellow	+	① (brown) ²	+	④ (black) ²	+
black	-	shield	-	③ (blue) ²	-	③ (blue) ²	-

²) cable core colour of the connection cable CAB-... (see accessories)

Technical data (at +20 °C)

General

Operation temperature	-25 °C to +65 °C
Storage temperature	-40 °C to +80 °C
Vibration	10 ... 55 Hz, 1,5 mm
Shock	30 g
Protection class	IP 67

Transmitter

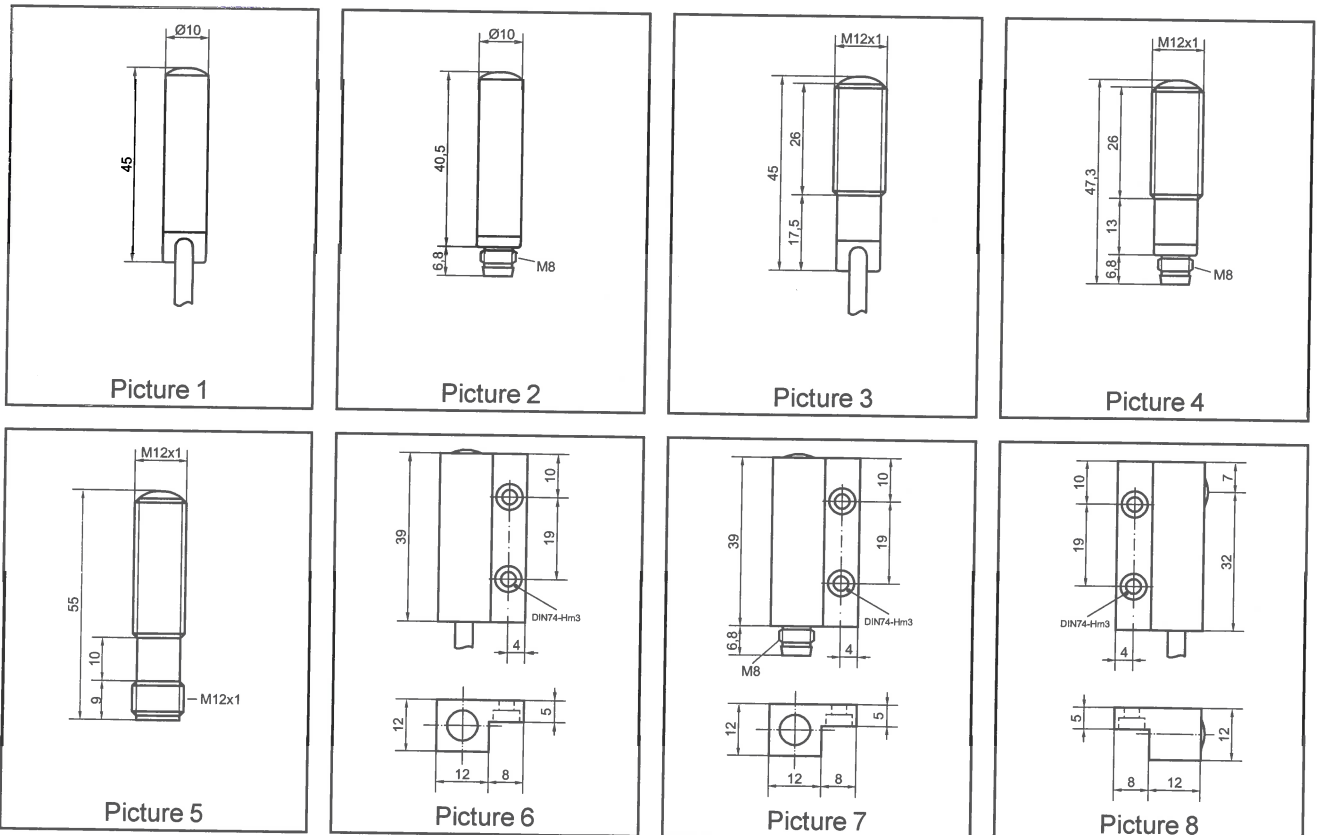
Type	IT-..., ITL-...	IT-...HP..., ITH-...	ITA-...
Transmit light	Infrared 880 nm, modulated	Infrared 870 nm, modulated	Infrared 870 nm, modulated
Transmit power (IF = 100 mA)	40 mW / sr	70 mW / sr	350 mW / sr
Opening angle	12 °	20 °	6 °
Cable sheathing	PVC, Ø3,8 mm ±0,2 mm, black ³⁾		
Cable core	2 x 0,25 mm, red / black		

Receiver

Type	IRL-...	IR-...
Opening angle	25 °	25 °
Light immunity	40000 LUX	60000 LUX
Cable sheathing	PVC, Ø3,8 mm ±0,2 mm, black ³⁾	
Cable core	1 x 0,34 mm, yellow shielded	

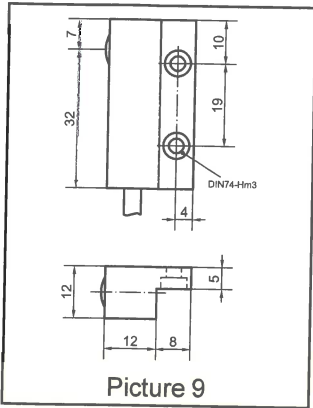
³⁾ other cable styles on request

Dimension drawings (in mm)

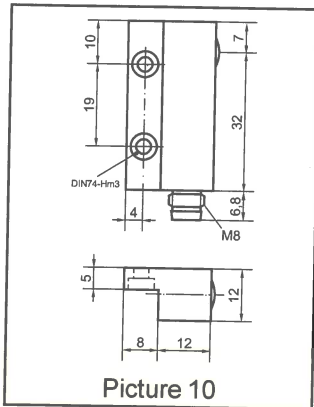


Sensor heads

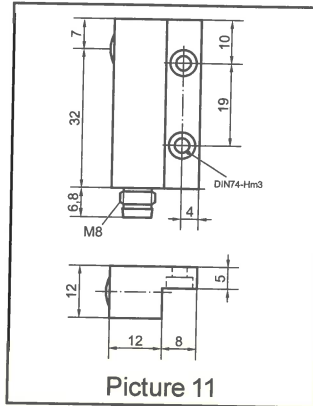
Transmitter IT.../Receiver IR...



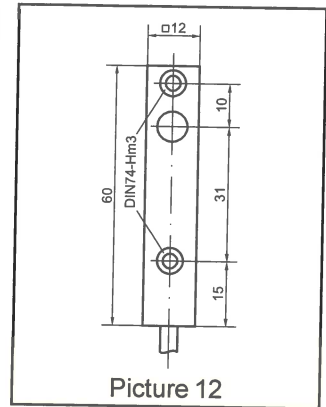
Picture 9



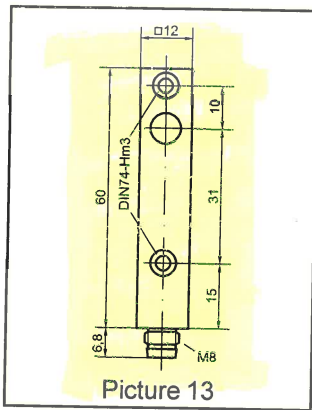
Picture 10



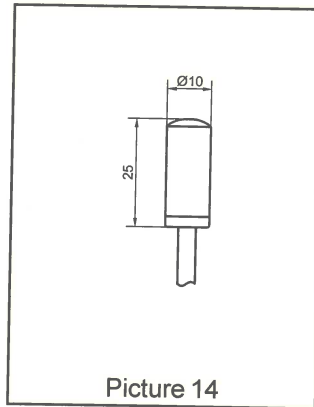
Picture 11



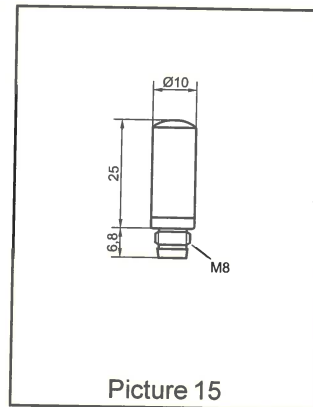
Picture 12



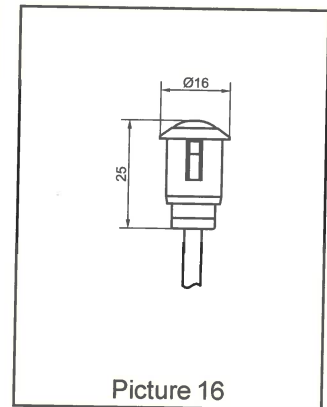
Picture 13



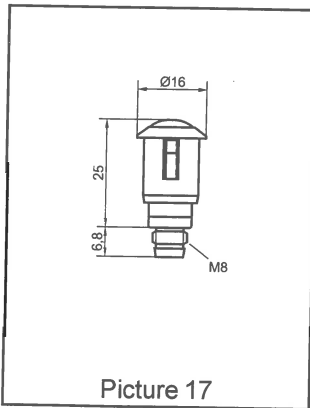
Picture 14



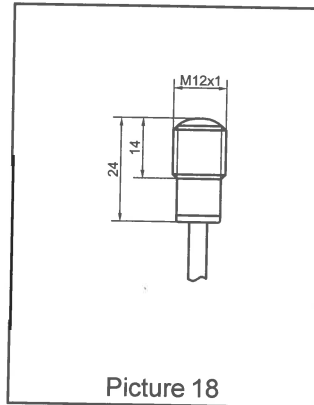
Picture 15



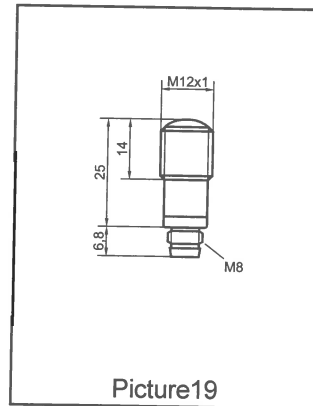
Picture 16



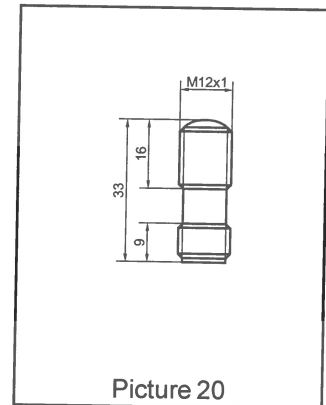
Picture 17



Picture 18



Picture 19

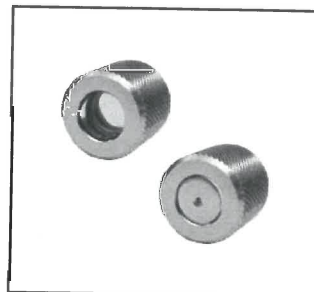


Picture 20

Accessories



Cable connector for sensors with plug



Light shutter/protective glass shield for sensors with M12 thread



Blower cap for sensors with M12 thread



Sensor holder for sensors with Ø10 mm