

AC axial fans

A-Range, Ø 200



- **Material:** sheet steel (coated in black)
- **Direction of rotation:** direction of air flow "V" counter-clockwise, direction of air flow "A" clockwise
- **Type of protection:** IP 44

ebm-papst • Muldingen

| Nominal data | | Characteristic | Voltage | Frequency | Air flow | Speed/rpm | Power input | Current draw | Capacitor | Sound pressure level | Max. back pressure | Perm. amb. temp. | Mass |
|------------------------|-----------|----------------|---------|-----------|----------|-----------|-------------|--------------|-----------|----------------------|--------------------|------------------|------|
| Type | Motor | VAC | Hz | m³/h | min⁻¹ | W | A | µF/VDB | dB(A) | Pa | °C | kg | |
| *2D 200 ⁽¹⁾ | M2D068-CF | ① | 230/400 | 50 | 830 | 2800 | 53 | 0,15 | --- | 67 | 140 | 75 | 1,7 |
| | | | 230/400 | 60 | 940 | 3150 | 70 | 0,14 | --- | 70 | 140 | 75 | |
| *2E 200 | M2E068-CA | ② | 230 | 50 | 740 | 2740 | 50 | 0,24 | 1,5/400 | 65 | 200 | 75 | 1,4 |
| | | | 230 | 60 | 830 | 3120 | 61 | 0,28 | 1,5/400 | 69 | 200 | 75 | |
| *4D 200 ⁽¹⁾ | M4D068-CF | ③ | 230/400 | 50 | 390 | 1450 | 22 | 0,09 | --- | 51 | 70 | 60 | 1,5 |
| | | | 230/400 | 60 | 460 | 1730 | 21 | 0,07 | --- | 55 | 100 | 80 | |
| *4S 200 | M4S068-BF | ④ | 230 | 50 | 375 | 1380 | 40 | 0,30 | --- | 52 | 60 | 50 | 1,2 |
| | | | 230 | 60 | 445 | 1630 | 34 | 0,24 | --- | 53 | 80 | 65 | |

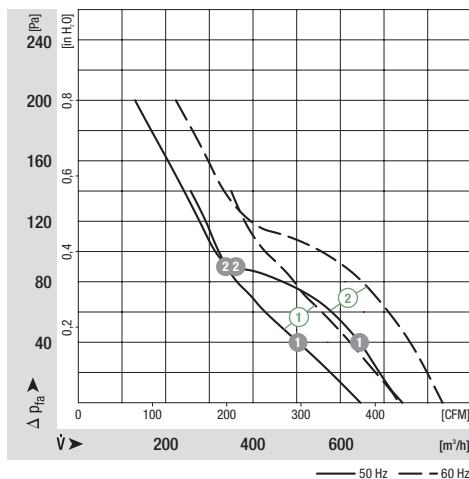
subject to alterations

⁽¹⁾ current draw established at 400 VAC (V)

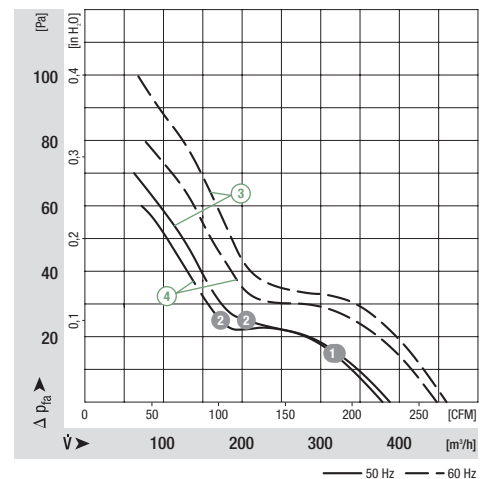
| | n [min ⁻¹] | P ₁ [W] |
|-----|------------------------|--------------------|
| ① ① | 2785 | 53 |
| ① ② | 2770 | 55 |
| ② ① | 2670 | 51 |
| ② ② | 2670 | 50 |

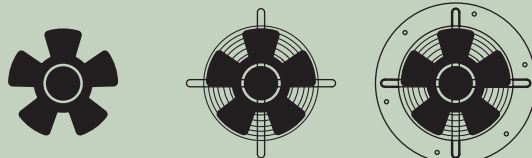
| | n [min ⁻¹] | P ₁ [W] |
|-----|------------------------|--------------------|
| ③ ① | 1460 | 24 |
| ③ ② | 1460 | 24 |
| ④ ① | 1375 | 40 |
| ④ ② | 1380 | 39 |

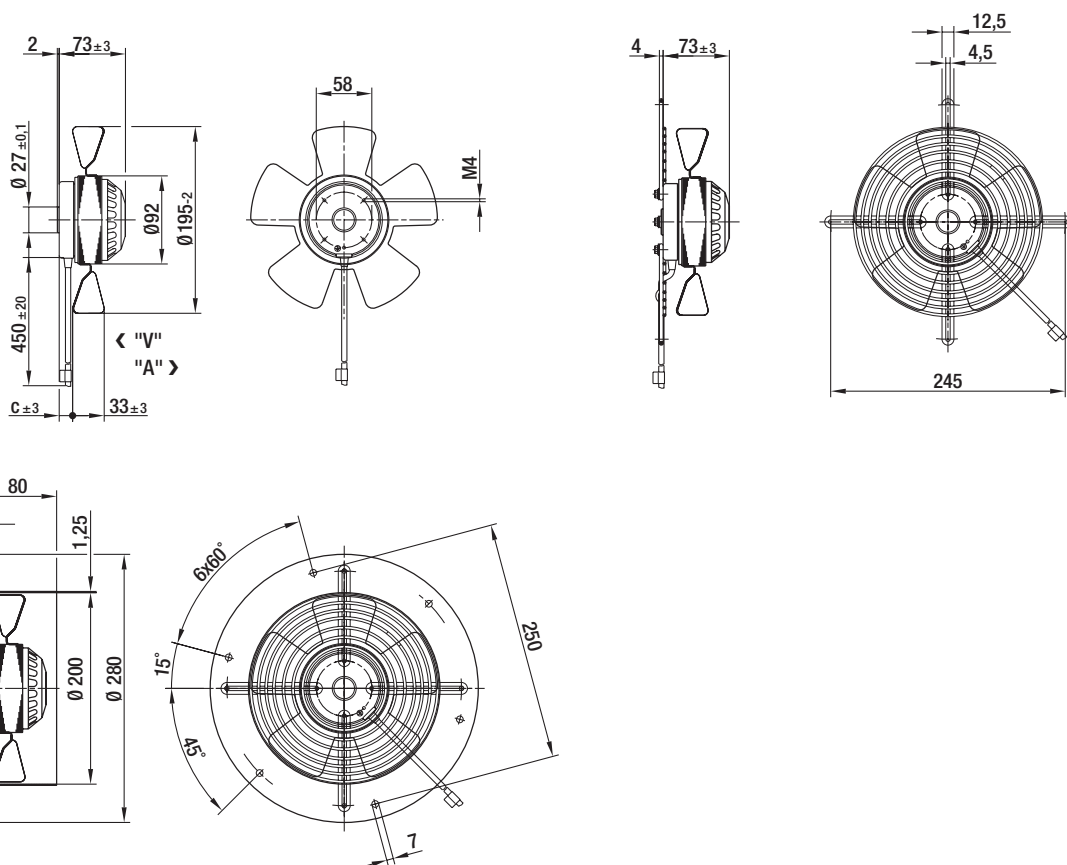
Characteristics



Characteristics



| Selection | Cable exit | Direction of air flow |  | | | Dimensions | |
|-----------|------------|-----------------------|---|------------------|------------------|------------|-------|
| | | | | | | Type | S/A/B |
| *2D 200 | S | "V" | A2D200-AA02 -01 | S2D200-BA02 -01 | W2D200-CA02 -01 | 21 | |
| | | "A" | A2D200-AA02 -02 | S2D200-BA02 -02 | W2D200-CA02 -02 | 21 | |
| *2E 200 | B | "V" | A2E 200-AF02 -01 | S2E 200-BF02 -01 | W2E 200-CF02 -01 | 21 | |
| | | "A" | A2E 200-AF02 -02 | S2E 200-BF02 -02 | W2E 200-CF02 -02 | 21 | |
| *4D 200 | S | "V" | A4D200-AA04 -01 | S4D200-BA04 -01 | W4D200-CA04 -01 | 20 | |
| | | "A" | A4D200-AA04 -02 | S4D200-BA04 -02 | W4D200-CA04 -02 | 20 | |
| *4S 200 | S | "V" | A4S 200-AA02 -01 | S4S 200-BA02 -01 | W4S 200-CA02 -01 | 20 | |
| | | "A" | A4S 200-AA02 -02 | S4S 200-BA02 -02 | W4S 200-CA02 -02 | 20 | |



AC axial fans

A-Range, Ø 250



- **Material:** sheet steel (coated in black)
- **Direction of rotation:** direction of air flow "V" counter-clockwise, direction of air flow "A" clockwise
- **Type of protection:** IP 44

ebm-papst • Muldingen

| Nominal data | | Characteristic | Voltage | Frequency | Air flow | Speed/rpm | Power input | Current draw | Capacitor | Sound pressure level | Max. back pressure | Perm. amb. temp. | Mass |
|------------------------|-----------|----------------|---------|-----------|----------|-----------|-------------|--------------|-----------|----------------------|--------------------|------------------|------|
| Type | Motor | VAC | Hz | m³/h | min⁻¹ | W | A | µF/VDB | dB(A) | Pa | °C | kg | |
| *2D 250 ⁽¹⁾ | M2D068-DF | ① 230/400 | 50 | 1685 | 2650 | 110 | 0,22 | --- | 72 | 300 | 70 | 2,2 | |
| | | 230/400 | 60 | 1845 | 2950 | 160 | 0,26 | --- | 75 | 300 | 40 | | |
| *2E 250 | M2E068-DF | ② 230 | 50 | 1610 | 2550 | 115 | 0,51 | 4,0/400 | 72 | 150 | 55 | 2,2 | |
| | | 230 | 60 | 1740 | 2750 | 165 | 0,74 | 4,0/400 | 73 | 130 | 50 | | |
| *4D 250 ⁽¹⁾ | M4D068-CF | ③ 230/400 | 50 | 890 | 1420 | 30 | 0,09 | --- | 58 | 90 | 75 | 1,6 | |
| | | 230/400 | 60 | 1035 | 1650 | 35 | 0,08 | --- | 62 | 100 | 75 | | |
| *4S 250 | M4S068-CF | ④ 230 | 50 | 870 | 1400 | 72 | 0,53 | --- | 58 | 80 | 40 | 1,7 | |
| | | 230 | 60 | 1000 | 1620 | 67 | 0,46 | --- | 62 | 100 | 50 | | |

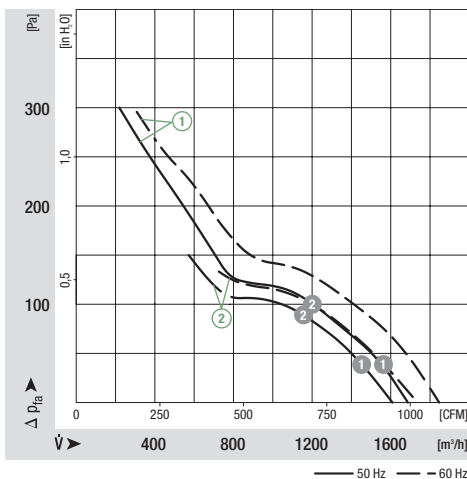
subject to alterations

⁽¹⁾ current draw established at 400 VAC (V)

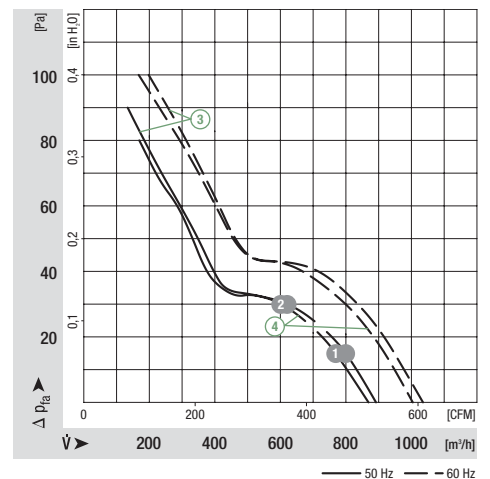
| | n [min ⁻¹] | P ₁ [W] |
|-----|------------------------|--------------------|
| ① ① | 2645 | 123 |
| ① ② | 2615 | 131 |
| ② ① | 2520 | 122 |
| ② ② | 2480 | 126 |

| | n [min ⁻¹] | P ₁ [W] |
|-----|------------------------|--------------------|
| ③ ① | 1420 | 32 |
| ③ ② | 1410 | 33 |
| ④ ① | 1400 | 70 |
| ④ ② | 1395 | 71 |

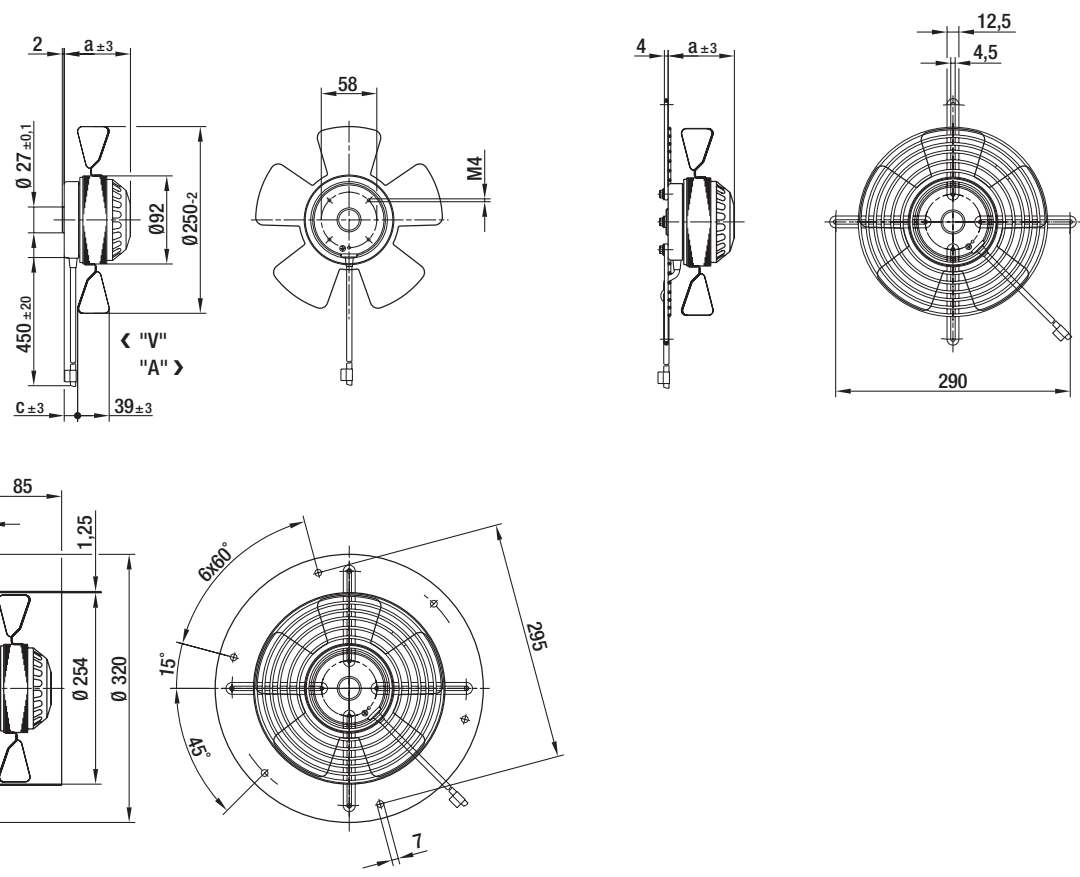
Characteristics



Characteristics



| Selection | Cable exit | Direction of air flow | Fan models | | | Dimensions | |
|-----------|------------|-----------------------|-----------------|-----------------|-----------------|------------|----|
| | | | Type | S/A/B | | a | c |
| *2D 250 | S | "V" "A" | A2D250-AA02 -01 | S2D250-BA02 -01 | W2D250-CA02 -01 | 83 | 27 |
| | | | A2D250-AA02 -02 | S2D250-BA02 -02 | W2D250-CA02 -02 | 83 | 27 |
| *2E 250 | B | "V" "A" | A2E250-AE65 -01 | S2E250-BE65 -01 | W2E250-CE65 -01 | 83 | 27 |
| | | | A2E250-AE65 -02 | S2E250-BE65 -02 | W2E250-CE65 -02 | 83 | 27 |
| *4D 250 | S | "V" "A" | A4D250-AA04 -01 | S4D250-BA04 -01 | W4D250-CA04 -01 | 73 | 19 |
| | | | A4D250-AA04 -02 | S4D250-BA04 -02 | W4D250-CA04 -02 | 73 | 19 |
| *4S 250 | S | "V" "A" | A4S250-AA02 -01 | S4S250-BA02 -01 | W4S250-CA02 -01 | 73 | 19 |
| | | | A4S250-AA02 -02 | S4S250-BA02 -02 | W4S250-CA02 -02 | 73 | 19 |



AC axial fans

A-Range, Ø 300



- **Material:** sheet steel (coated in black)
- **Direction of rotation:** direction of air flow "V" counter-clockwise, direction of air flow "A" clockwise
- **Type of protection:** IP 44

ebm-papst • Muldingen

| Nominal data | | Characteristic | Voltage | Frequency | Air flow | Speed/rpm | Power input | Current draw | Capacitor | Sound pressure level | Max. back pressure | Perm. amb. temp. | Mass |
|------------------------|-----------|----------------|---------|-----------|----------|-----------|-------------|--------------|-----------|----------------------|--------------------|------------------|------|
| Type | Motor | VAC | Hz | m³/h | min⁻¹ | W | A | µF/VDB | dB(A) | Pa | °C | kg | |
| *2D 300 ⁽¹⁾ | M2D068-EC | ① 230/400 | 50 | 2760 | 2650 | 180 | 0,31 | --- | 76 | 150 | 60 | 2,7 | |
| | | 230/400 | 60 | 2940 | 2800 | 270 | 0,41 | --- | 77 | 100 | 40 | | |
| *2E 300 | M2E068-EC | ② 230 | 50 | 2440 | 2650 | 140 | 0,62 | 5,0/400 | 75 | 150 | 55 | 2,5 | |
| | | 230 | 60 | 2700 | 2900 | 190 | 0,83 | 5,0/400 | 78 | 150 | 50 | | |
| *4D 300 ⁽¹⁾ | M4D068-DF | ③ 230/400 | 50 | 1740 | 1370 | 85 | 0,21 | --- | 66 | 100 | 55 | 2,3 | |
| | | 230/400 | 60 | 1910 | 1520 | 110 | 0,22 | --- | 68 | 110 | 40 | | |
| *4E 300 | M4E068-DF | ④ 230 | 50 | 1690 | 1350 | 95 | 0,44 | 3,0/400 | 65 | 120 | 45 | 2,3 | |
| | | 230 | 60 | 1830 | 1450 | 105 | 0,47 | 2,0/400 | 66 | 100 | 40 | | |
| *4S 300 | M4S068-DF | ⑤ 230 | 50 | 1440 | 1380 | 94 | 0,67 | --- | 62 | 75 | 30 | 2,1 | |
| | | 230 | 60 | 1600 | 1550 | 94 | 0,67 | --- | 64 | 60 | 40 | | |

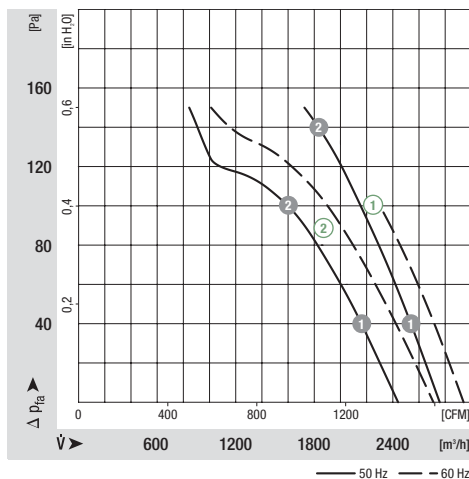
subject to alterations

⁽¹⁾ current draw established at 400 VAC (V)

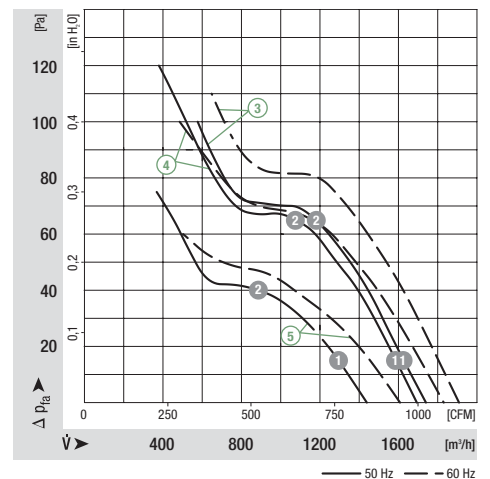
| | n [min⁻¹] | P ₁ [W] |
|-----|-----------|--------------------|
| ① ① | 2610 | 190 |
| ① ② | 2535 | 220 |
| ② ① | 2600 | 149 |
| ② ② | 2530 | 162 |

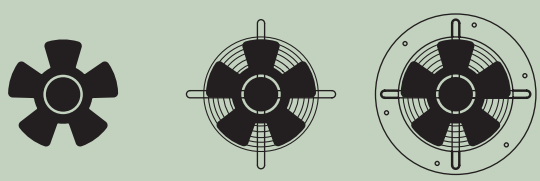
| | n [min⁻¹] | P ₁ [W] |
|-----|-----------|--------------------|
| ③ ① | 1360 | 86 |
| ③ ② | 1345 | 94 |
| ④ ① | 1345 | 96 |
| ④ ② | 1315 | 101 |
| ⑤ ① | 1375 | 92 |
| ⑤ ② | 1360 | 94 |

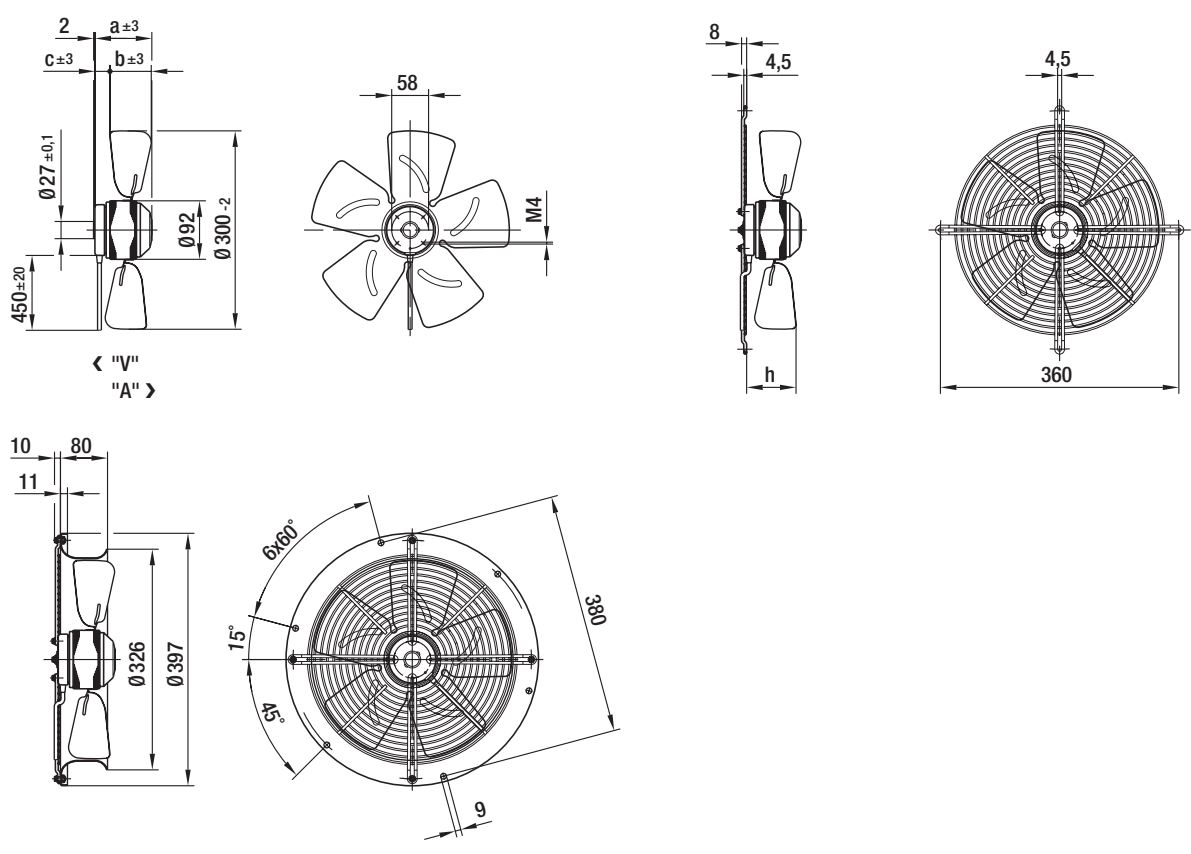
Characteristics



Characteristics



| Selection | Cable exit | Direction of air flow |  | | | Dimensions | | | |
|-----------|------------|-----------------------|---|------------------|------------------|------------|----|----|----|
| | | | | | | a | b | c | h |
| Type | S/A/B | | | | | | | | |
| *2D 300 | S | "V" | A2D300-AD02 -01 | S2D300-BD02 -01 | W2D300-CD02 -01 | 101 | 30 | 32 | 64 |
| | | "A" | A2D300-AD02 -02 | S2D300-BD02 -02 | W2D300-CD02 -02 | 101 | 30 | 32 | 64 |
| *2E 300 | S | "V" | A2E 300-AC47 -01 | S2E 300-BC47 -01 | W2E 300-CC47 -01 | 98 | 20 | 30 | 50 |
| | | "A" | A2E 300-AC47 -02 | S2E 300-BC47 -02 | W2E 300-CC47 -02 | 98 | 20 | 30 | 37 |
| *4D 300 | S | "V" | A4D300-AA02 -01 | S4D300-BA02 -01 | W4D300-CA02 -01 | 83 | 56 | 20 | 73 |
| | | "A" | A4D300-AA02 -02 | S4D300-BA02 -02 | W4D300-CA02 -02 | 83 | 56 | 20 | 73 |
| *4E 300 | S | "V" | A4E 300-AA01 -01 | S4E 300-BA01 -01 | W4E 300-CA01 -01 | 83 | 56 | 20 | 73 |
| | | "A" | A4E 300-AA01 -02 | S4E 300-BA01 -02 | W4E 300-CA01 -02 | 83 | 56 | 20 | 73 |
| *4S 300 | S | "V" | A4S 300-AA02 -01 | S4S 300-BA02 -01 | W4S 300-CA02 -01 | 83 | 30 | 20 | 52 |
| | | "A" | A4S 300-AA02 -02 | S4S 300-BA02 -02 | W4S 300-CA02 -02 | 83 | 30 | 20 | 52 |



AC axial fans

A-Range, Ø 315



- **Material:** sheet steel (coated in black)
- **Direction of rotation:** direction of air flow "V" counter-clockwise, direction of air flow "A" clockwise
- **Type of protection:** IP 44

ebm-papst • Muldingen

| Nominal data | | Characteristic | Voltage | Frequency | Air flow | Speed/rpm | Power input | Current draw | Capacitor | Sound pressure level | Max. back pressure | Perm. amb. temp. | Mass |
|------------------------|-----------|----------------|---------|-----------|----------|-----------|-------------|--------------|-----------|----------------------|--------------------|------------------|------|
| Type | Motor | VAC | Hz | m³/h | min⁻¹ | W | A | µF/VDB | dB(A) | Pa | °C | kg | |
| *4D 315 ⁽¹⁾ | M4D068-EC | ① | 230/400 | 50 | 1990 | 1400 | 78 | 0,19 | --- | 65 | 150 | 80 | 2,8 |
| | | | 230/400 | 60 | 2260 | 1590 | 115 | 0,21 | --- | 68 | 150 | 60 | |
| *4E 315 ⁽²⁾ | M4E068-EC | ② | 230 | 50 | 1950 | 1400 | 120 | 0,53 | 5,0/400 | 67 | 180 | 50 | 2,8 |
| | | | 230 | 60 | 2230 | 1610 | 135 | 0,60 | 4,0/400 | 70 | 120 | 45 | |

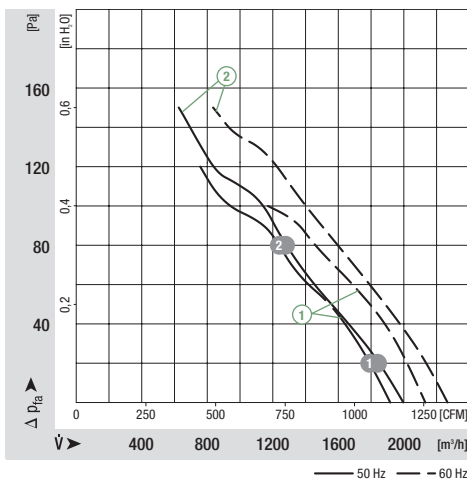
subject to alterations

⁽¹⁾ current draw established at 400 VAC (Y)

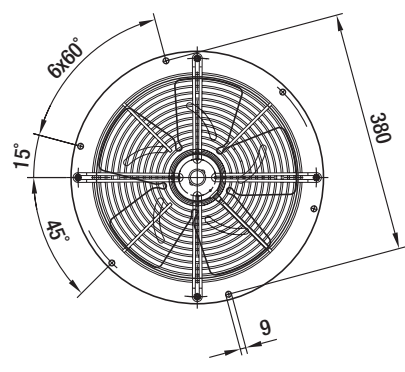
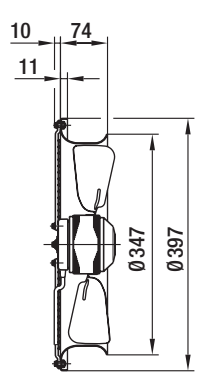
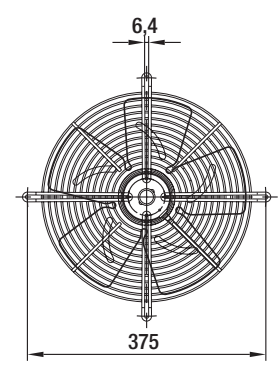
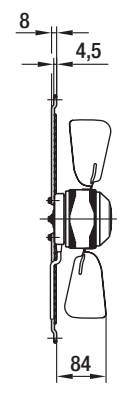
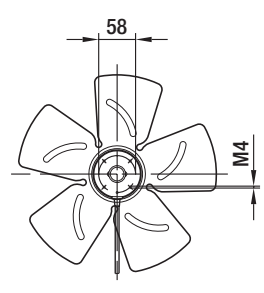
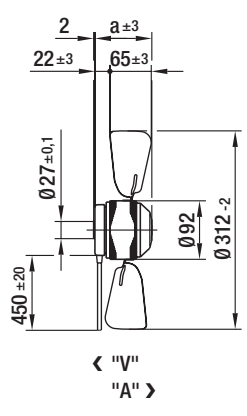
⁽²⁾ insulation class "F"

| | n [min⁻¹] | P ₁ [W] |
|-----|-----------|--------------------|
| ① ① | 1390 | 82 |
| ① ② | 1370 | 95 |
| ② ① | 1395 | 123 |
| ② ② | 1360 | 136 |

Characteristics



| Selection | Cable exit | Direction of air flow | Dimensions | | | |
|-----------|------------|-----------------------|------------------|------------------|------------------|-----|
| Type | S/A/B | | a | | | |
| *4D 315 | S | "V" | A4D315-AC20 -01 | S4D315-BC20 -01 | W4D315-CC20 -01 | 101 |
| | | "A" | A4D315-AC20 -02 | S4D315-BC20 -02 | W4D315-CC20 -02 | 101 |
| *4E 315 | S | "V" | A4E 315-AA05 -01 | S4E 315-BA05 -01 | W4E 315-CA05 -01 | 92 |
| | | "A" | A4E 315-AA05 -02 | S4E 315-BA05 -02 | W4E 315-CA05 -02 | 92 |



AC axial fans

A-Range, Ø 350



- **Material:** sheet steel (coated in black)
- **Direction of rotation:** direction of air flow "V" counter-clockwise, direction of air flow "A" clockwise
- **Type of protection:** IP 44

ebm-papst • Muldingen

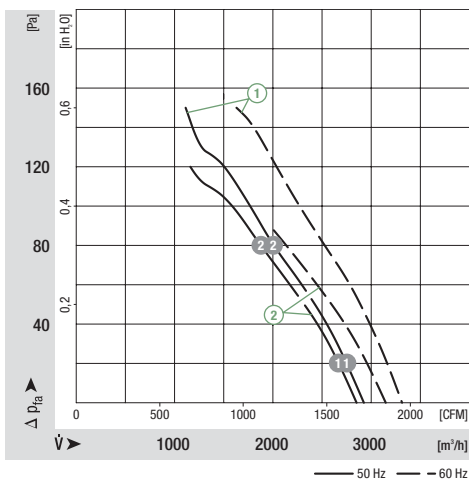
| Nominal data | | Characteristic | Voltage | Frequency | Air flow | Speed/rpm | Power input | Current draw | Capacitor | Sound pressure level | Max. back pressure | Perm. amb. temp. | Mass |
|------------------------|-----------|----------------|---------|-----------|----------|-----------|-------------|--------------|-----------|----------------------|--------------------|------------------|------|
| Type | Motor | VAC | Hz | m³/h | min⁻¹ | W | A | µF/VDB | dB(A) | Pa | °C | kg | |
| *4D 350 ⁽¹⁾ | M4D068-EC | ① | 230/400 | 50 | 2900 | 1420 | 145 | 0,39 | --- | 69 | 150 | 45 | 3,1 |
| | | | 230/400 | 60 | 3300 | 1620 | 190 | 0,36 | --- | 72 | 150 | 40 | |
| *4E 350 | M4E068-EC | ② | 230 | 50 | 2850 | 1390 | 140 | 0,62 | 5,0/400 | 68 | 120 | 60 | 3,1 |
| | | | 230 | 60 | 3190 | 1550 | 195 | 0,86 | 5,0/400 | 70 | 90 | 40 | |


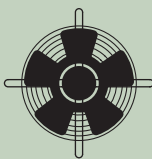
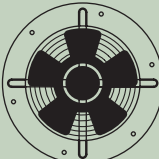
subject to alterations

⁽¹⁾ current draw established at 400 VAC (Y)

| | n [min⁻¹] | P ₁ [W] |
|-----|--------------|-----------------------|
| ① ① | 1405 | 154 |
| ① ② | 1390 | 169 |
| ② ① | 1375 | 147 |
| ② ② | 1345 | 161 |

Characteristics



| Selection | Cable exit | Direction of air flow |  |  |  |
|-----------|------------|-----------------------|---|---|---|
| Type | S/A/B | | | | |
| *4D 350 | S | "V" | A4D350-AA06 -01 | S4D350-BA06 -01 | W4D350-CA06 -01 |
| | | "A" | A4D350-AA06 -02 | S4D350-BA06 -02 | W4D350-CA06 -02 |
| *4E 350 | S | "V" | A4E350-AA06 -01 | S4E350-BA06 -01 | W4E350-CA06 -01 |
| | | "A" | A4E350-AA06 -02 | S4E350-BA06 -02 | W4E350-CA06 -02 |

