

English

1101 948

2015 03 31

RESERVDELAR SPARE PARTS

5212170 GV 12-78/30
Valid from s/n 0900891

| Pos | Detalj nr | Ant | Benämning | Description | Anm | Atdragm mom |
|-----------|-----------------|----------|-----------------------------|-----------------------------|------------------|-------------|
| Fig | Part no | Qty | | | Notes | Torque |
| | 5212 170 | | Rotator GV 12 -78/30 | Rotator GV 12 -78/30 | | |
| 1 | 5011 013R | 1 | Stator övre | Stator plate, upper | Incl pos 2 | |
| 2 | 5001 381 | 1 | Propp | Plug | G1/8 | 17 Nm |
| 3 | 5011 006R | 1 | Nippelskydd | Hose guard | | |
| 4 | 1016 203 | 2 | Skruv | Screw | M12x50 | |
| 5 | 1017 326 | 2 | Bricka | Washer | | |
| 6 | 5212 172 | 1 | Tätningssats | Seal kit | GV12-78 | |
| 7 | 1005 545 | 2 | Kula | Ball | | |
| 8 | 1020 536 | 1 | Fjäder | Spring | | |
| 9 | 5112 169R | 1 | Rotor | Rotator shaft | Incl pos 12,13 | |
| 10 | 5011 160 | 4 | Vinge | Vane | | |
| 11 | 5006 030 | 12 | Fjäder | Spring | | |
| 12 | 1005 453 | 2 | Glidlager | Bushing | 30/34-30 | |
| 13 | 1001 825 | 1 | Smörjnippel | Grease nipple | | |
| 14 | 1019 900 | 2 | Cylindrisk pinne | Pin | 8x20 | |
| 15 | 5112 023R | 1 | Statorring | Stator frame | | |
| 16 | 5011 105 | 2 | Kägla | Restrictor | | |
| 17 | 5112 022 | 1 | Axiallagersats | Axial bearing kit | | |
| 18 | 5010 081 | 1 | Shimssats | Shim, set | | |
| | 1016 658 | 1 | Shims | Shim | 0,100 mm | |
| | 1017 029 | 1 | Shims | Shim | 0,125 mm | |
| | 1016 641 | 1 | Shims | Shim | 0,150 mm | |
| | 1017 425 | 1 | Shims | Shim | 0,178 mm | |
| 19 | 5212 020R | 1 | Stator undre | Stator plate, lower | Incl. pos 20, 21 | |
| 20 | 1025 709 | 1 | Magnetplugg | Magnetic plug | G1/4 | 20 Nm |
| 21 | 1019 116 | 1 | Tätning gummistålbricka | Bonded seal | G1/4 | |
| 22 | 1002 120 | 10 | Skruv | Screw | M12x130 | 120 Nm |

English

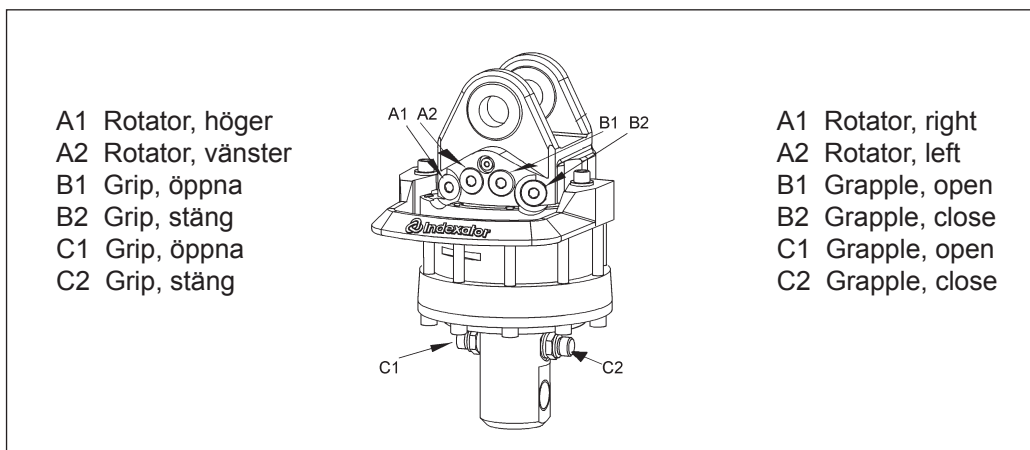
1101 948

2015 03 31

ADAPTERSATS ADAPTERSET

5212170 GV 12-78/30
Valid from s/n 0900891

| Pos | Detalj nr | Ant | Benämning | Description |
|------|-----------------|-----|------------------------------|-----------------------------|
| Fig | Part no | Qty | | |
| | 5112 171 | | Adaptersats GV/G G1/2 | Adapterset GV/G G1/2 |
| A, B | 1073 444 | 4 | Adapter G1/2xG1/2 | Adapter G1/2xG1/2 |
| C | 1073 444 | 2 | Adapter G1/2xG1/2 | Adapter G1/2xG1/2 |



English

1101 948

2015 03 31