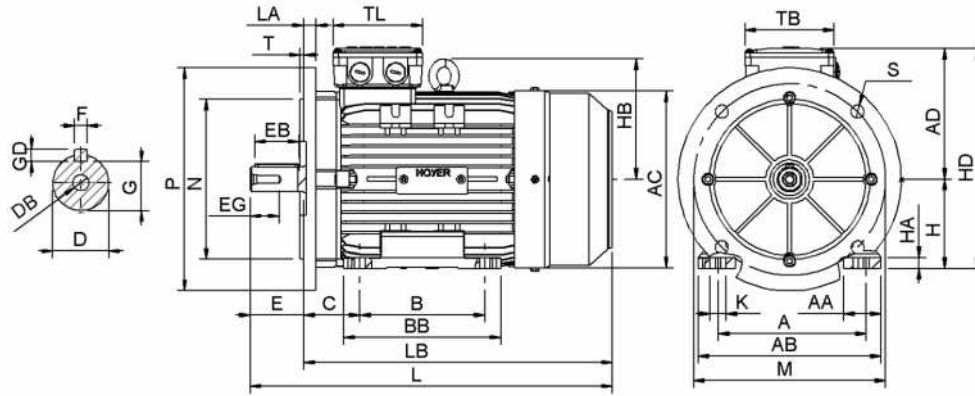


Data Sheet

Itemnumber....: 5541321409



| | | | | | | | | | | |
|----------|----------|----------|----------|---------|------------|----------|----------|---------|-------------|----------|
| A = 216 | AC = 258 | BB = 218 | DB = M12 | EG = 30 | GD = 8 | HD = 319 | LA = 15 | M = 265 | S = 4-Ø14.5 | TL = 120 |
| AA = 50 | AD = 187 | C = 89 | E = 80 | F = 10 | H = 132 | K = 4 | LB = 421 | N = 230 | T = 4 | |
| AB = 256 | B = 178 | D = 38 | EB = 70 | G = 33 | HA = 16,50 | L = 501 | LE = 491 | P = 300 | TB = 120 | |

Version

Type.....: HMA3 132M-4
 Design.....: Induction motor
 Standard series.....: IEC 60034
 Phase / Voltage range.....: 3~ / Low

Electrical design

Efficiency.....: IE3
 Pole.....: 4
 Power at 50 Hz (kW).....: 7,50
 Hz.....: 50
 Voltage.....: 400VD/690VY
 Winding voltage.....: 400VD/690VY 50 Hz
 Power output (kW).....: 7,50
 Duty.....: S1
 Insulation class.....: F
 Temperature rise.....: B

Motor protection

Thermal protection main....: PTC 3x 155 dgr
 Thermal protection second..: None
 Space heater.....: None
 Temperature detector.....: No
 SPM.....: No
 IR wire.....: No
 Tropical insulation.....: No

Explosion protection

According to.....: None
 Type of protection.....: None

General

Direction of rotation.....: CW
 Painting.....: RAL 9005 Gloss 10
 Nameplate.....: Multivoltage
 Special packing.....: No
 Special requirements.....: No

Mechanical design

Frame size.....: 132
 Mounting.....: B35
 Rain cap.....: No
 Protection class.....: IP55
 Cooling method.....: IC411/TEFC
 External grounding.....: Yes
 Drain hole.....: Yes
 Frame material.....: Aluminium
 Material approval.....: None
 Shaft.....: IEC standard
 Key.....: Closed key
 Balancing.....: Half key balancing
 Vibration class.....: Grade-A
 Weight (kg).....: 58,0

Environment condition

Ambient temp. min. (°C)..: -20
 Ambient temp. max. (°C)..: 40
 Altitude (mtr up to).....: 1000

Bearing

DE Bearing.....: 6308-ZZ/C3
 NDE Bearing.....: 6308-ZZ/C3
 Fixed bearing.....: DE

Terminal box

Tbox position.....: Top
 Cable entry direction.....: Right (from DE)
 Cable entry
 Main.....: 2 x M25x1,5
 Plastic blindcaps
 Accessory.....: 1 x M20x1,5
 Plastic blindcap
 Connection type.....: Delta (D)
 Terminal board thread.....: 6-M5

Test values

Rotor inertia (kgm²).....: 0,044
 Noise level (dB(A)).....: 61
 No load current (A).....: 5,70
 Winding resist. (ohm).....: 1,44
 Starting time (sec.).....: 0,06
 Temp. rise winding (K).....: 54
 Temp. rise surface (K).....: 48

| | | | | |
|---------------------------|----------------|----------------|----------------|----------------|
| Rated power (kW) | 7,50 | 7,25 | 9,00 | 8,75 |
| Frequency (Hz) | 50 | 50 | 60 | 60 |
| Voltage (V) | 400 690 | 380 660 | 480 830 | 440 |
| Connection | D Y | D Y | D Y | D |
| Full load current (A) | 14,2 8,15 | 14,6 8,40 | 14,2 8,15 | 14,6 |
| Speed (rpm) | 1460 | 1460 | 1750 | 1750 |
| Power factor cos(phi) | 0,85 | 0,86 | 0,85 | 0,87 |
| Efficiency, 100/75/50 (%) | 90,5/91,2/90,9 | 90,5/91,2/90,9 | 90,5/91,2/90,9 | 89,8/90,6/90,3 |
| Ist/In | 8,8 | 7,8 | 8,8 | 8,1 |
| Full load torque (Nm) | 49,0 | 47,5 | 49,0 | 47,5 |
| Tst/Tn | 2,9 | 2,7 | 2,9 | 2,5 |
| Tmax /Tn | 3 | 2,8 | 3 | 2,6 |
| Duty | S1 | S1 | S1 | S1 |
| Ambient temp. (°C) | 40 | 45 | 40 | 45 |