

Technical data sheet

ZKB/ZKT

Gummi ekspansionskompensatorer

Applications and special features



- ZKB : galvanised steel flanges
- Optional : with vacuum ring
: flanges stainless steel 304 or 316L
- ZKT : with galvanised ductile iron union nut connections.
- Optional : bronze connection in case of electrolytic risk - consult us.

Technical description

ZKB with flanges										
DN	PN	PFA	PS - bar				Cat.	EPDM	NBR	
"	mm	Flanges	bar	L1	L2	G1	G2	Reference		
1 1/4	32	10/16	16	16	16	0,5	16	3.3	149B 5141C	149B 5141N
1 1/2	40	10/16	16	16	16	0,5	16	3.3	149B 5142C	149B 5142N
2	50	10/16	16	16	16	0,5	16	3.3	149B 5143C	149B 5143N
2 1/2	65	10/16	16	16	16	0,5	15	3.3	149B 5144C	149B 5144N
3	80	10/16	16	16	16	0,5	12	3.3	149B 5145C	149B 5145N
4	100	10/16	16	16	16	0,5	10	3.3	149B 5146C	149B 5146N
5	125	10/16	16	16	16	0,5	8	3.3	149B 5147C	149B 5147N
6	150	10/16	16	13	16	0,5	6	3.3	149B 5148C	149B 5148N
8	200	10	10	10	10	0,5	5	3.3	149B 5149C	149B 5149N
10	250	10	10	8	10	0,5	4	3.3	149B 5150C	149B 5150N
12	300	10	10	6	10	0,5	3	3.3	149B 5151C	149B 5151N
14	350	10	8	5	8	0,5	2	3.3	149B 5152C	149B 5152N
16	400	10	8	5	8	0,5	2	3.3	149B 5153C	149B 5153N
18	450	10	8	4	8	0,5	2	3.3	149B 5154C	149B 5154N
20	500	10	8	4	8	0,5	2	3.3	149B 5155C	149B 5155N
24	600	10	8	3	8	0,5	1	3.3	149B 5156C	149B 5156N

- Connection : flanges drilled PN : see table
- Permissible operating pressure PFA - water (for supply, distribution, disposal of water) : See table
- Maximum Permissible pressure PS - other mediums : See table
- θ : see pressure/temperature diagram

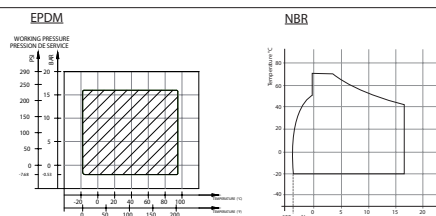
Important notice :

The indicated pressure for the different categories of fluids (L1/L2/G1/G2) is under no condition a guarantee of use. Therefore, it is essential to validate the use of products under given operating conditions.

ZKB with flanges										
DN	PN	PFA	PS - bar				Cat.	EPDM	NBR	
"	mm	Flanges	bar	L1	L2	G1	G2	Reference		
8	200	16	16	10	16	0,5	5	3.3	149B 008285	149B 5007N
10	250	16	16	8	16	0,5	4	3.3	149B 008287	149B 5008N
12	300	16	16	6	16	0,5	3	3.3	149B 008291	149B 5009N
14	350	16	8	5	8	0,5	2	3.3	149B 008294	149B 5010N
16	400	16	8	5	8	0,5	2	3.3	149B 008301	149B 5011N
18	450	16	8	4	8	0,5	2	3.3	149B 008305	149B 5012N
20	500	16	8	4	8	0,5	2	3.3	149B 008312	149B 5013N
24	600	16	8	3	8	0,5	1	3.3	149B 008314	149B 5014N

ZKT female/female									
DN	PFA	PS - bar				Cat.	EPDM	NBR	
"	bar	L1	L2	G1	G2		Reference		
3/4	10	10	10	10	10	3.3	149B 5126	149B 5126N	
1	10	10	10	10	10	3.3	149B 5127	149B 5127N	
1 1/4	10	10	10	0,5	10	3.3	149B 5128	149B 5128N	
1 1/2	10	10	10	0,5	10	3.3	149B 5129	149B 5129N	
2	10	10	10	0,5	10	3.3	149B 5130	149B 5130N	
2 1/2	10	10	10	0,5	10	3.3	149B 5131	149B 5131N	
3	10	10	10	0,5	10	3.3	149B 5132	149B 5132N	

Pressure/temperature diagram



Important :
 • Pressure 16 bar up to DN 300
 8 bar DN 350 - 600
 • Test realised with fluid : Water
 For other fluids, consult us

Technical data sheet ZKB/ZKT - Rubber expansion joints

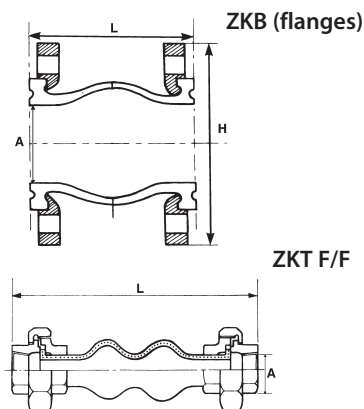
Overall dimensions

ZKB with flanges

DN "	A mm	H mm	L mm	KG	
				PN10	PN16
1 ¼	32	140	95	3,10	-
1 ½	40	150	95	3,70	-
2	52	165	105	4,45	-
2 ½	68	185	115	6,20	-
3	76	200	130	6,80	-
4	103	220	135	7,60	-
5	128	250	170	11,00	-
6	152	285	180	13,50	-
8	194	340	205	18,50	17,29
10	250	395	240	23,00	25,00
12	300	445	260	29,50	35,25
14	320	505	265	50,00	50,00
16	372	565	265	60,00	60,00
18	415	615	265	70,00	70,00
20	454	670	265	88,64	88,64
24	580	780	254	95,00	95,00

ZKT F/F

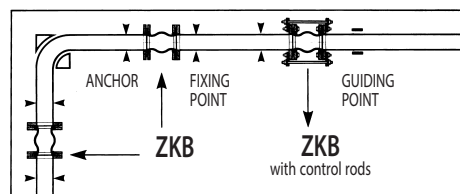
"	A		L mm	KG
	mm	mm		
3/4	20	200	200	0,725
1	25	200	200	1,260
1 ¼	32	200	200	1,455
1 ½	40	200	200	1,980
2	50	200	200	2,700
2 ½	65	225	225	4,000
3	80	225	225	5,640



Installation scheme

- Mounted on piping installations, the ZKT joint absorbs expansions contractions, oscillations and vibrations, diminishes hammering, reduces noise and prevents electric currents from spreading.

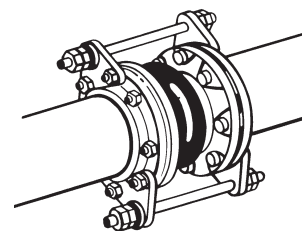
RECOMMENDED INSTALLATIONS SCHEME



Control rods

Control rods in galvanised steel - For flanges PN10 and PN16

DN "	mm	U V	PN10		PN16	
			REF	Kg	REF	Kg
1 ¼	32	1	149B 5436	2,10	-	-
1 ½	40	1	149B 5437	1,90	-	-
2	50	1	149B 5438	2,10	-	-
2 ½	65	1	149B 5439	2,24	-	-
3	80	1	149B 5440	1,90	-	-
4	100	1	149B 5441	2,10	-	-
5	125	1	149B 5442	2,30	-	-
6	150	1	149B 5443	3,65	-	-
8	200	1	149B 5444	3,80	149B 0089 40	3,80
10	250	1	149B 5445	5,80	149B 0089 41	5,90
12	300	1	149B 5446	5,25	149B 0089 42	6,20
14	350	1	149B 5447	5,00	149B 0089 43	8,30
16	400	1	149B 5448	6,00	149B 0089 44	10,40
18	450	1	149B 5449	10,00	149B 0089 45	12,00
20	500	1	149B 5450	11,00	149B 0089 47	16,00
24	600	1	149B 5451	14,00	149B 0089 48	17,00



Control rod unit must be installed when pressure (Test surge, operating) exceeds the rating above.

SEALS SIZE		PSIG	Bar
"	mm		
1" - 4"	25 - 100	150	10,3
5" - 10"	125 - 250	135	9,3
12" - 14"	300 - 350	90	6,2
16" - 24"	400 - 600	45	3,1

Kit number required :

DN32 to 150	1
DN200 to 600	2