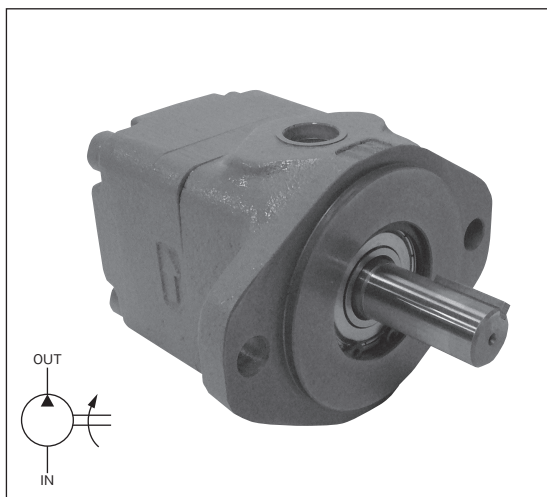


# FIXED-DISPLACEMENT VANE PUMP (HVP-FA1)

A

PUMPS AND MOTORS



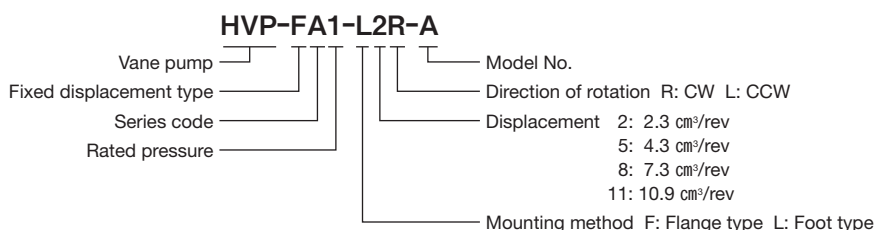
## Features

1. The pump is designed to be compact and lightweight.
2. The bearing load is small thanks to the hydraulically balanced design, allowing long life and operating economy.
3. The pump operates quietly even in high speed applications due to excellent cavitation characteristics.
4. The pump contains only a few component parts, made for easy maintenance.
5. Inlet and outlet ports can be located as desired at 90-degree intervals without restriction on their relative positions.

**⚠ Cautions on use** Please read the Operating Manual carefully to ensure correct usage.

- The standard direction of rotation is clockwise, viewed from the shaft end.
- The standard inlet port position is at the left, viewed from the shaft end.
- The standard outlet port position is at the right, viewed from the shaft end.
- The pump can be used for R&O type and abrasion-resistant type hydraulic fluid applications.
- The pump cannot be used for water-glycol fluid.
- The direction of rotation can be changed on the same pump. For the changing method, please consult us.
- The pump for counterclockwise rotation has the inlet and outlet ports opposite to those on the pump for clockwise rotation.
- Please read the "Cautions on Using Pumps and Motors", A-2 and A-3 pages.

## Description of the model designation



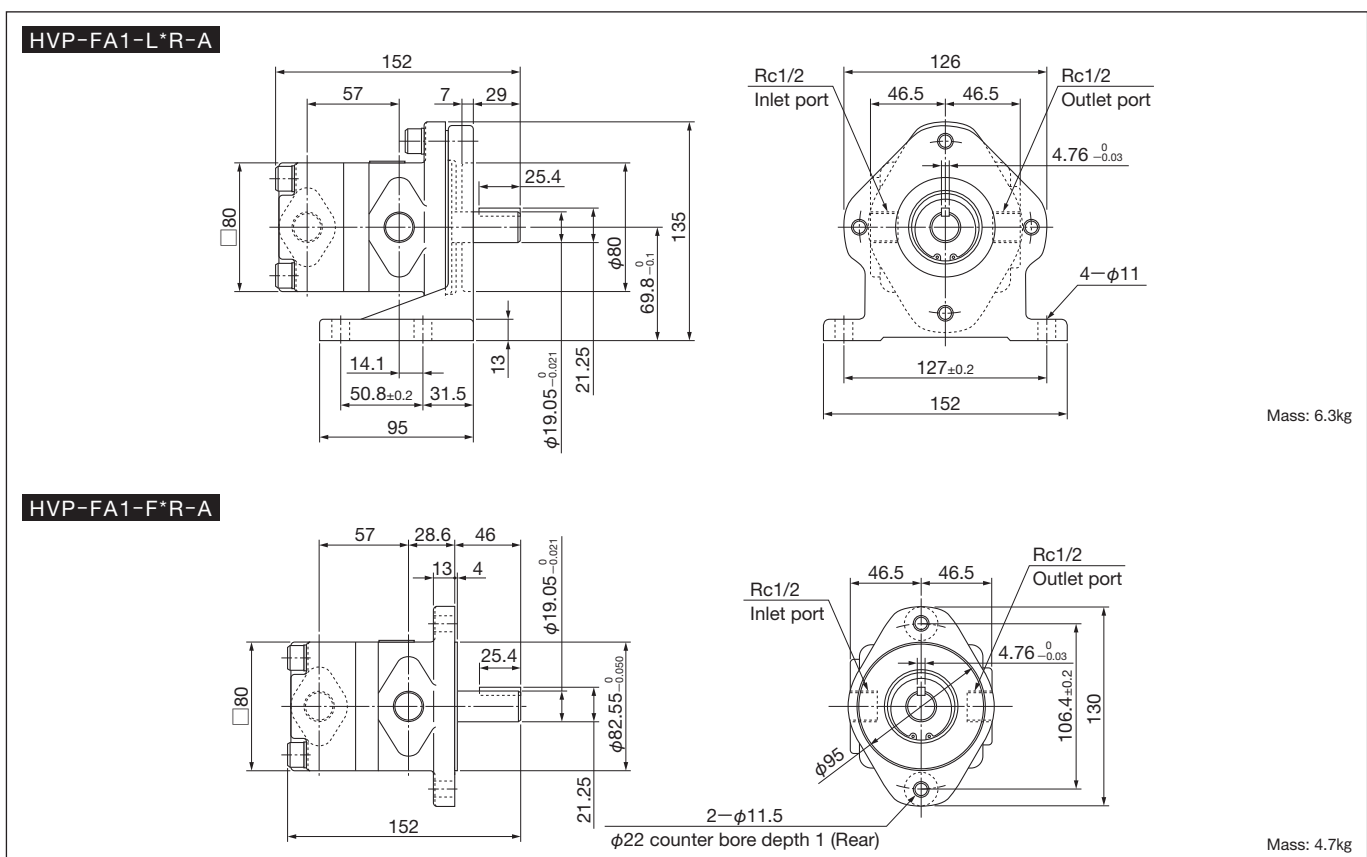
## Specifications

Model	Displacement (cm <sup>3</sup> /rev)	Pressure (MPa)		Discharge rate (L/min)					Input (kW)					Rotating speed (min <sup>-1</sup> )		
		Rated	Max.	0.5MPa	2MPa	3.5MPa	5MPa	7MPa	0.5MPa	2MPa	3.5MPa	5MPa	7MPa	Rated	Max.	Lowest
HVP-FA1-*2R-A	2.3	7	7	4.1	3.9	3.6	3.4	3.0	0.18	0.37	0.56	0.75	1.0	1,800	1,800	900
HVP-FA1-*5R-A	4.3			7.7	7.3	7.0	6.6	6.2	0.21	0.52	0.76	0.99	1.3			
HVP-FA1-*8R-A	7.3			12.9	12.5	12.1	11.7	11.2	0.24	0.65	1.07	1.49	2.04			
HVP-FA1-*11R-A	10.9			19.1	18.5	17.9	17.3	16.6	0.32	0.91	1.5	2.09	2.87			

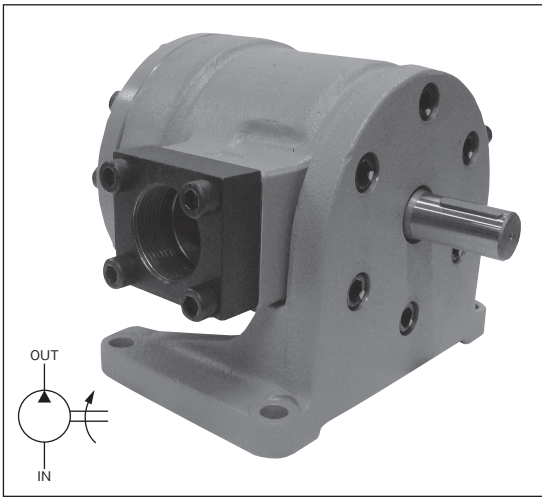
1,800 min<sup>-1</sup> 20mm<sup>2</sup>/s

Symbol "\*" in the model designation indicates the mounting method. L means the foot type, and F means the flange type.

## Outside dimensions







**■ Features**

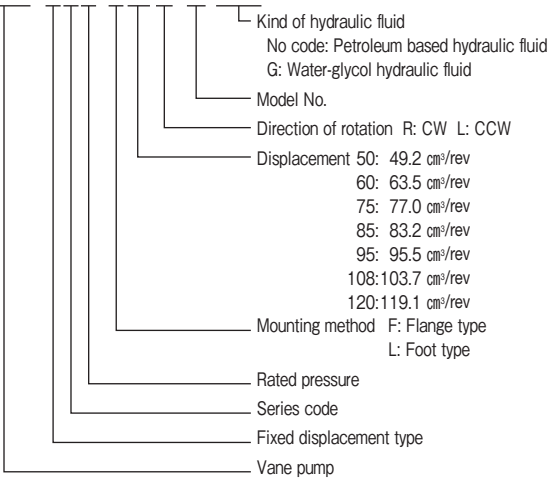
1. The bearing load is small thanks to the hydraulically balanced design, allowing long life and operating economy.
2. Simple structure assures easy maintenance.
3. Since the pipe connecting port is of flange mounting type, the pump can be installed or removed without disassembling the pipe.

**⚠ Cautions on use** Please read the Operating Manual carefully to ensure correct usage.

- The standard direction of rotation is clockwise, viewed from the shaft end.
- Standard position of suction inlet is to left and the same of discharge outlet is to right viewed from the shaft end.
- The pump can be used for R&O type and abrasion-resistant type hydraulic fluid applications.
- When using water-glycol hydraulic fluid, specify "G" at the end of model designation. The maximum revolving speed, however, becomes 1,200 min<sup>-1</sup>. For brand names of water-glycol hydraulic fluid, please consult us.  
Example: HVP-FE1-L50R-A-G"
- The direction of rotation can be changed on the same pump. For the changing method, please consult us.
- The pump for counterclockwise rotation has the inlet and outlet ports opposite to those on the pump for clockwise rotation.
- Please read the "Cautions on Using Pumps and Motors", A-2 and A-3 pages.

**■ Description of the model designation**

**HVP-FE1-L50R-A (-G)**

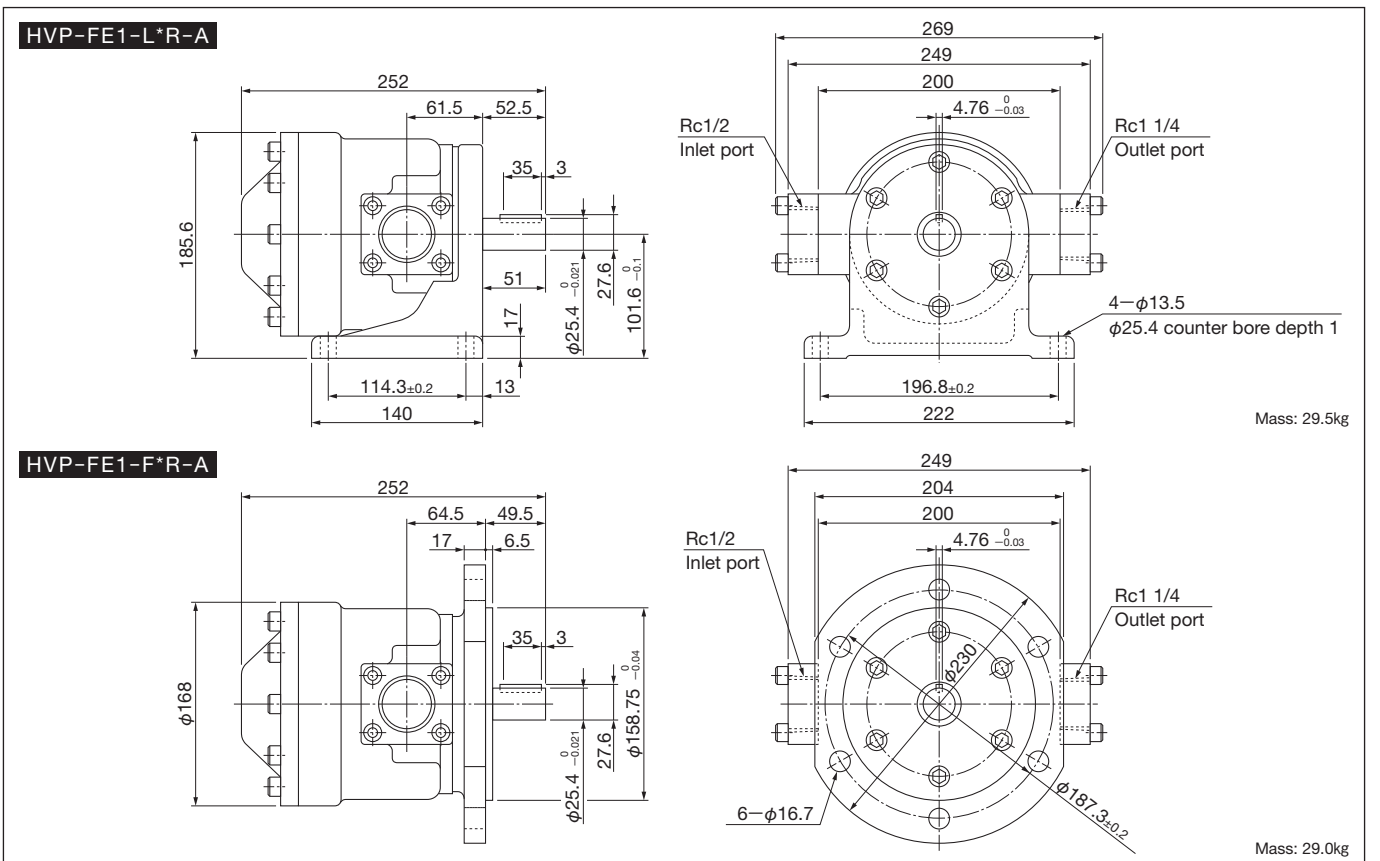


**■ Specifications**

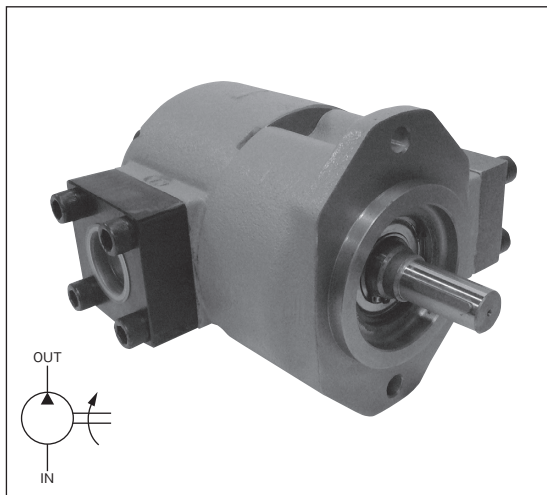
Model	Displacement (cm <sup>3</sup> /rev)	Pressure (MPa)		Discharge rate (L/min)					Input (kW)					Rotating speed (min <sup>-1</sup> )		
		Rated	Max.	0.5	2	3.5	5	7	0.5	2	3.5	5	7	Rated	Max.	Lowest
				MPa	MPa	MPa	MPa	MPa	MPa	MPa	MPa	MPa	MPa			
HVP-FE1-50R-A	49.2			57.4	55.9	54.5	53.0	51.1	1.2	2.7	4.5	6.2	8.4			
HVP-FE1-60R-A	63.5			73.9	72.4	70.9	69.4	67.4	1.5	3.3	5.6	7.8	10.5		1,800	
HVP-FE1-75R-A	77.0			89.6	88.0	86.4	84.8	82.7	1.9	4.0	6.7	9.3	12.7			
HVP-FE1-85R-A	83.2	7	7	96.8	95.1	93.3	91.6	89.3	2.0	4.4	7.3	10.2	13.9	1,200	1,500	600
HVP-FE1-95R-A	95.5			111.2	109.2	107.2	105.2	102.5	2.2	5.0	8.2	11.4	15.6			
HVP-FE1-108R-A	103.7			120.6	118.7	116.8	114.9	112.4	2.4	5.3	8.8	12.3	16.8			
HVP-FE1-120R-A	119.1			138.4	136.3	134.1	132.0	129.1	2.7	6.1	10.1	14.1	19.2		1,200	

Symbol "\*" in the model designation indicates the mounting method. L means the foot type, and F means the flange type.

**■ Outside dimensions**



# FIXED-DISPLACEMENT VANE PUMP (HVP-FC2)



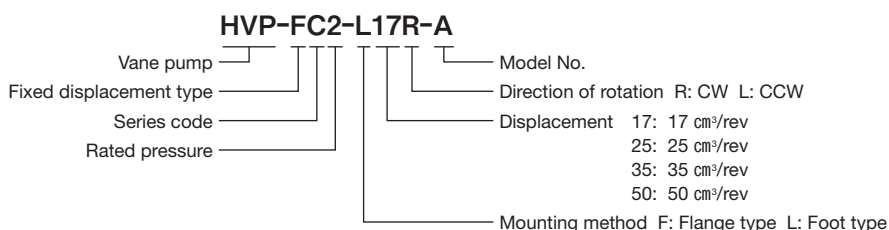
## Features

1. Higher performance is assured for a long period of time owing to the special hydraulic balancing method.
2. In addition to the standard type, the inlet port can be positioned at 90 degrees intervals for inlet port and 180 degrees intervals for outlet port.
3. Since the pipe connecting port is of flange mounting type, the pump can be installed or removed without disassembling the pipe.

**⚠ Cautions on use** Please read the Operating Manual carefully to ensure correct usage.

- The standard direction of rotation is clockwise, viewed from the shaft end.
- Standard position of suction inlet is to left and the same of discharge outlet is to right viewed from the shaft end.
- The pump can be used for R&O type and abrasion-resistant type hydraulic fluid applications.
- When water-glycol hydraulic fluid is used, a standard pump can be used. Maximum rotation speed, however, becomes 1,200 min<sup>-1</sup>. For brand names of water-glycol hydraulic fluid, please consult us."
- Rotating direction cannot be changed on the same pump.
- Please read the "Cautions on Using Pumps and Motors", A-2 and A-3 pages.

## Description of the model designation



## Specifications

Model	Displacement (cm <sup>3</sup> /rev)	Pressure (MPa)		Discharge rate (L/min)					Input (kW)					Rotating speed (min <sup>-1</sup> )		
		Rated	Max.	0.5MPa	3.5MPa	7MPa	10.5MPa	14MPa	0.5MPa	3.5MPa	7MPa	10.5MPa	14MPa	Rated	Max.	Lowest
HVP-FC2-*17R-A	17	14	14	29.0	28.1	27.1	26.0	25.0	0.7	2.2	4.0	5.7	7.5	1,800	1,800	800
HVP-FC2-*25R-A	25			43.0	41.8	40.4	38.9	37.5	0.9	3.1	5.8	8.4	11.0			
HVP-FC2-*35R-A	35			60.0	58.4	56.6	54.8	53.0	1.1	4.2	7.8	11.4	15.0			
HVP-FC2-*50R-A	50			86.5	84.5	82.2	79.8	77.5	1.3	5.8	11.0	16.3	21.5			

1,800 min<sup>-1</sup> 20mm<sup>2</sup>/s

Symbol "\*" in the model designation indicates the mounting method. L means the foot type, and F means the flange type.

## Outside dimensions

