

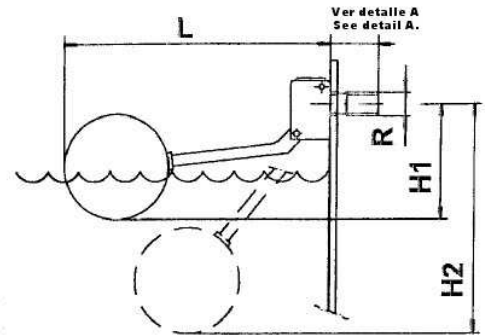
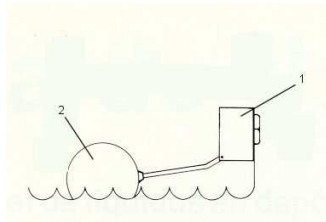
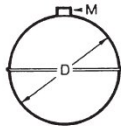
ARTICULO: 2856N / 2852 Válvula de Flotador. Floating Valve.

Características

1. Válvula de flotador.
2. Construcción en Acero Inoxidable AISI 316.
3. Conexión Rosca ANSI B 2.1 NPT.
4. Paso total.
5. Cierre de silicona.
6. Presión de trabajo máxima 16 Kg / cm².
7. Temperatura máx. de trabajo 150 °C

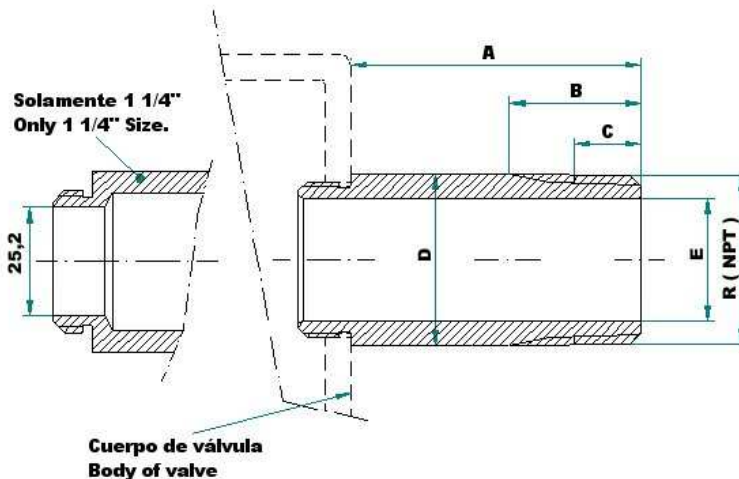
Features

1. Floating Valve.
2. Made of Stainless Steel AISI 316.
3. Conexion Threaded ANSI B 2.1 NPT.
4. Full Port.
5. Silicone Lock.
6. Max. Working pressure 16 Kg / cm².
7. Max. Working temperature 150 °C.



Nº	Denominación/Name	Material	Acabado Superficial/Surface Treatment
1	Válvula / Valve	Acero Inox. 316 / S.S. 316	Pulido / Polished
2	Flotador / Floating	Acero Inox. 316 / S.S. 316	Pulido / Polished

DETALLE A / DETAIL A



DIMENSIONES GENERALES / GENERAL DIMENSIONS

Ref	Medida/ Size (R)	Dimensiones/Dimensions (mm)								Ø Boya Ø Float	Peso/Weight (Kg)
		L	H1	H2	A	B	C	D	E		
2856N 03	3/8"	300	83	235	32	15.25	7.54	17.15	9.5	90	0.35
2856N 04	1/2"	410	127	375	35	19.85	9.93	21.40	14	110	0.55
2856N 05	3/4"	490	155	436	42	20.20	10.24	26.70	19	160	1.00
2856N 06	1"	585	174	521	45	25.00	12.93	33.40	24	160	1.05
2856N 07	1 1/4"	585	164	520	52	25.62	13.54	42.17	32	160	1.25
2856N 08	1 1/2"	710	253	651	60	26.04	13.96	48.30	38	200	3.45
2856N 09	2"	798	255	736	70	26.88	14.80	60.33	48	200	3.75

Ref	PN	Dimensiones/Dimensions (mm)		Peso/Weight (Kg)
		Ø D	M	
2852 090	16	90	M-6	0.15
2852 110	16	110	M-6	0.25
2852 160	16	160	M-8	0.50
2852 200	16	200	M-12	0.70

CAUDAL EN LITROS / HORA // CAUDAL IN LITRE / HOUR

Ref	PRESION (BAR) / PRESSURE (BAR)						
	1	2	3	4	6	8	10
2856N 03	1.132	1.669	1.904	2.169	2.656	2.825	3.082
2856N 04	2.829	3.998	4.895	5.657	6.790	7.978	8.938
2856N 05	4.838	6.842	8.370	9.677	11.805	13.993	15.289
2856N 06	6.934	9.919	12.147	14.068	17.167	19.654	21.945
2856N 07	10.176	15.438	19.438	23.154	28.908	33.594	38.168
2856N 08	15.566	21.948	26.928	31.104	37.635	43.657	51.516
2856N 09	23.685	33.863	40.977	47.372	57.791	67.532	75.500