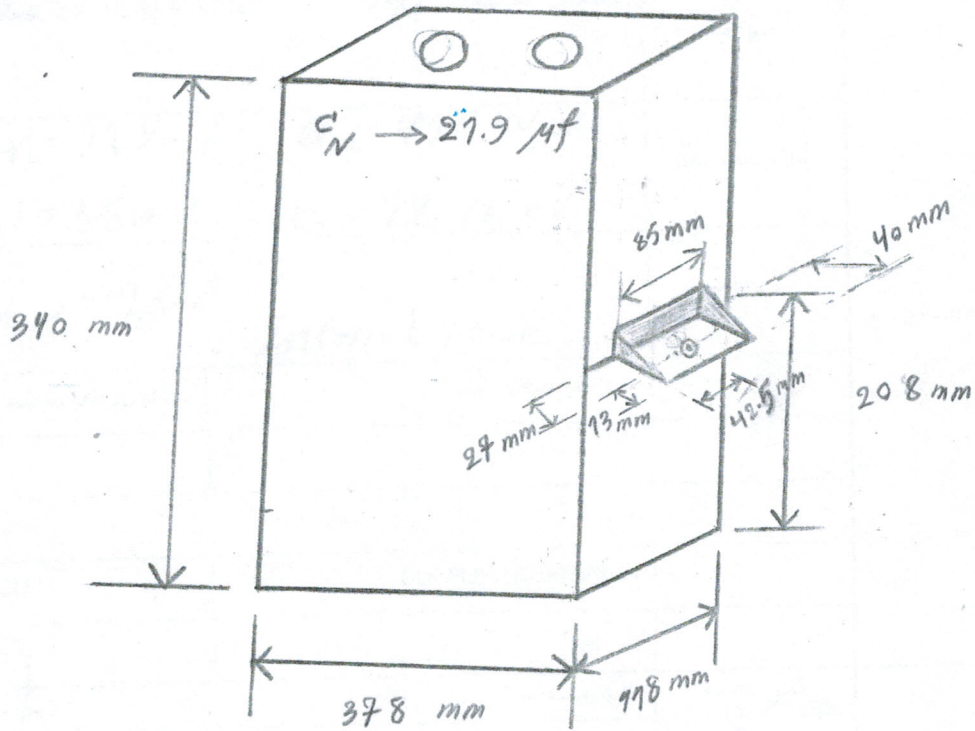
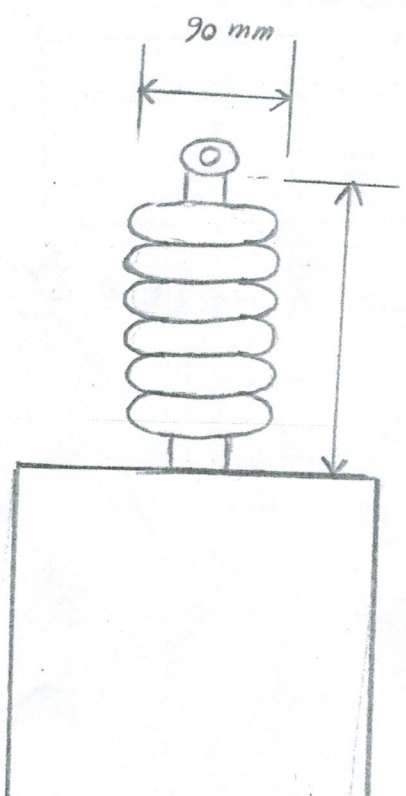


OKP

415620018
CAPACITOR 21.9 F 100KVAR 28/75KV UN=3810V 26A 50HZ (TOL -5 +10%)



Y.8.418-A



470 mm → (Creepage distance)