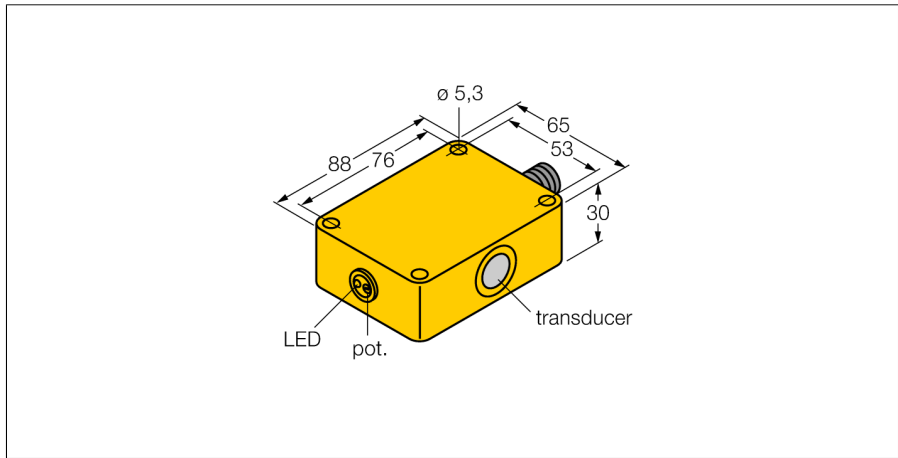
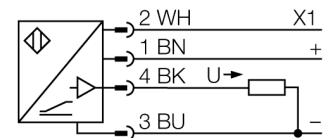


ultrasonic sensor
Diffuse mode sensor
RU100-Q30-LUX-H1141



- Operating voltage 18...35 VDC
- Upper analog value adjustable via potentiometer
- Analog output, 0...10 V
- Display for object detection
- synchronizable
- opening angle of sonic cone 6°

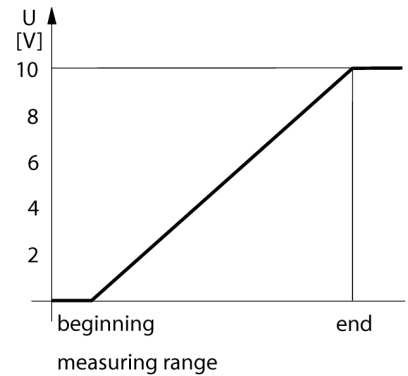
Wiring Diagram



Type designation	RU100-Q30-LUX-H1141
Ident-No.	1820205
Operating mode	Ultrasonic diffuse mode sensor
Range	200...100cm
Ultrasound frequency	230 kHz
Repeatability	≤ ± 1.5 mm
Edge lengths of the nominal actuator	20 mm
Approach speed	≤ 8 m/s
Pass speed	≤ 1.5 m/s
Operating voltage	18...35 VDC
No-load current I ₀	≤ 35 mA
Load resistance	≤ 1000 Ω
Response time typical	90 ms
Voltage output	0...10V
Short-circuit protection	yes/ Cyclic
Reverse polarity protection	Complete
Wire breakage protection	yes
Design	Rectangular, Q30
Dimensions	88 x 65 x 30 mm
Housing material	Plastic, Crastin, SK645FR
Transducer material	Plastic, Epoxy-resin
Electrical connection	Connectors, M12 × 1, 4-wire
Protection class	IP65
Ambient temperature	0...+55 °C
Switching state	LED

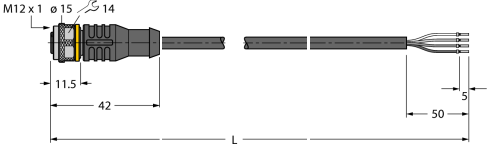
Functional principle

Ultrasonic sensors use ultrasonic waves for non-contact and wear-free detection of many objects. Regardless of whether the object is transparent or opaque, metallic or non-metallic, or of liquid, solid or powdery consistency. Even environmental conditions such as spray, dust or rain hardly affect their function.



ultrasonic sensor
Diffuse mode sensor
RU100-Q30-LUX-H1141

Wiring accessories

Type code	Ident-No.	Description	
RKC4.4T-2/TEL	6625013	Connection cable, female M12, straight, 4-pin, cable length: 2 m, sheath material: PVC, black; cULus approval; other cable lengths and qualities available, see www.turck.com	
WKC4.4T-2/TEL	6625025	Connection cable, female M12, angled, 4-pin, cable length: 2 m, sheath material: PVC, black; cULus approval; other cable lengths and qualities available, see www.turck.com	