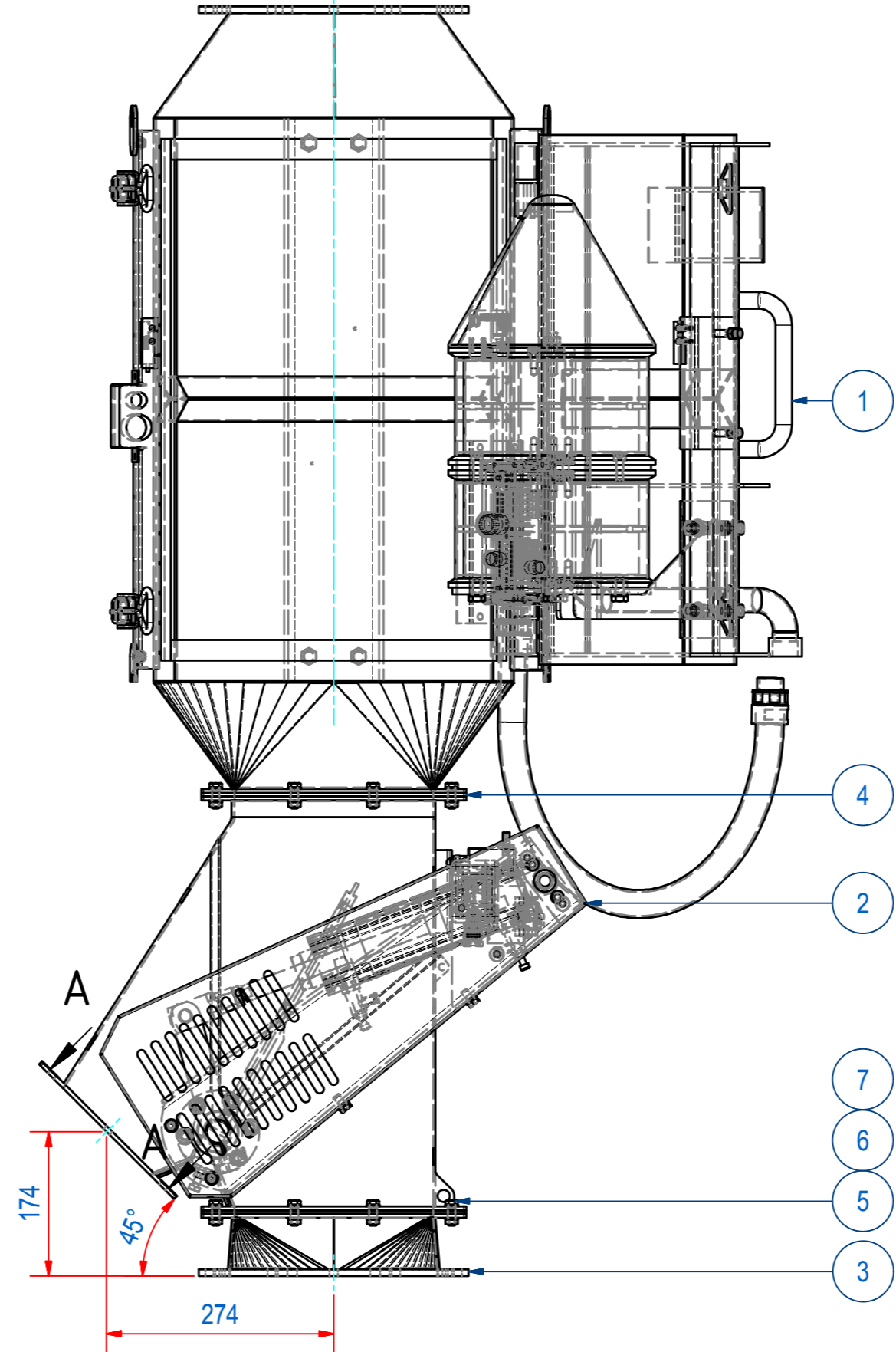
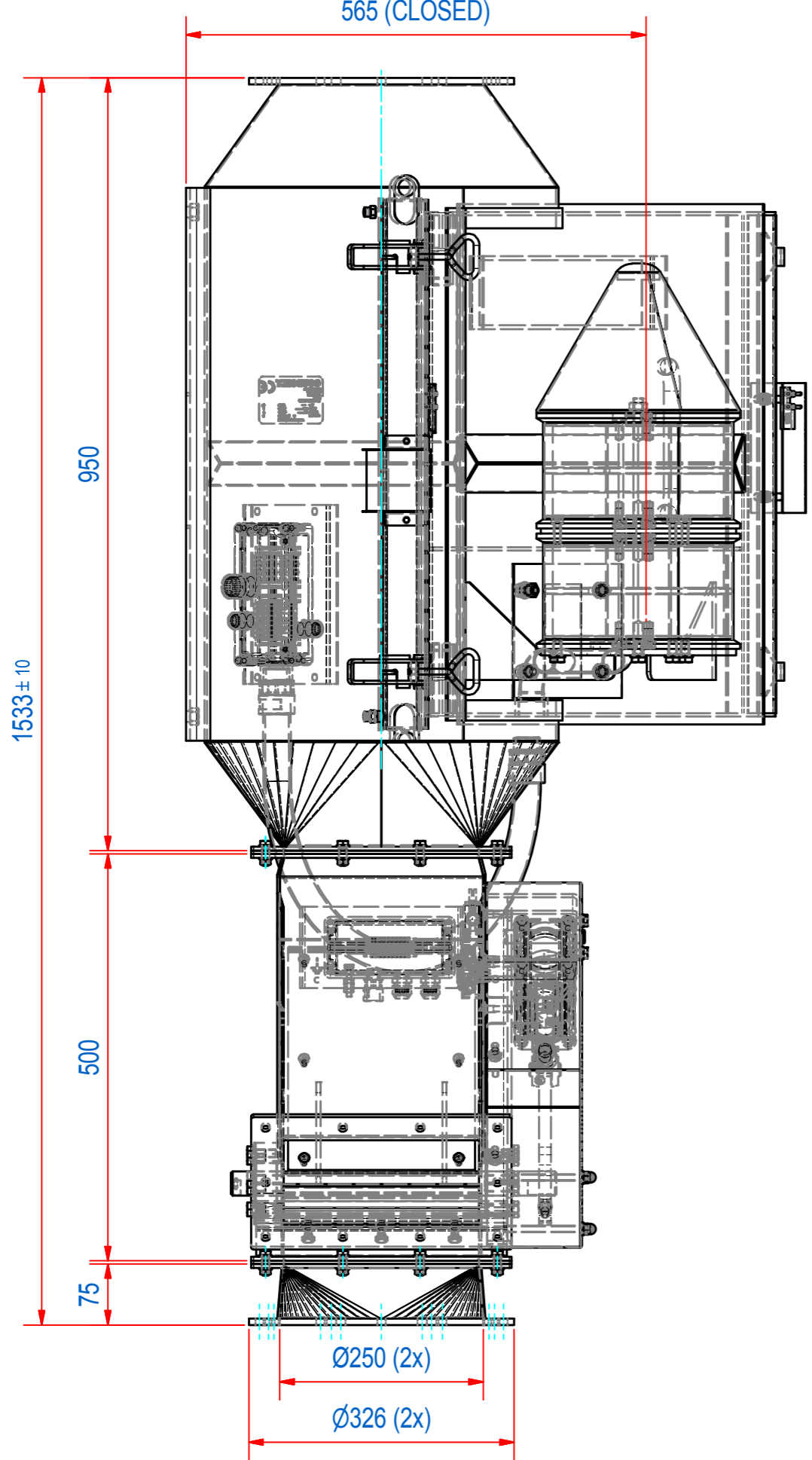
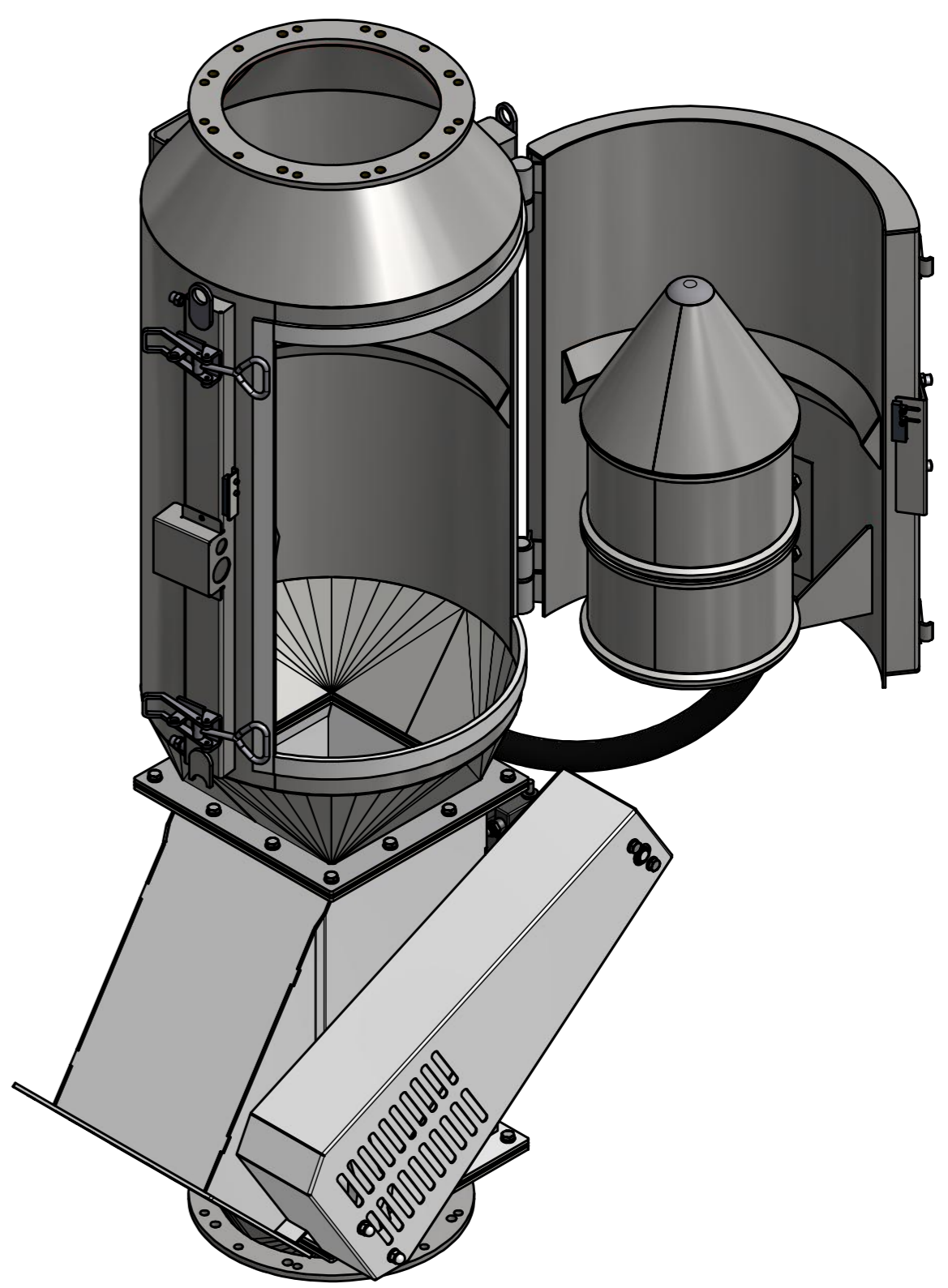
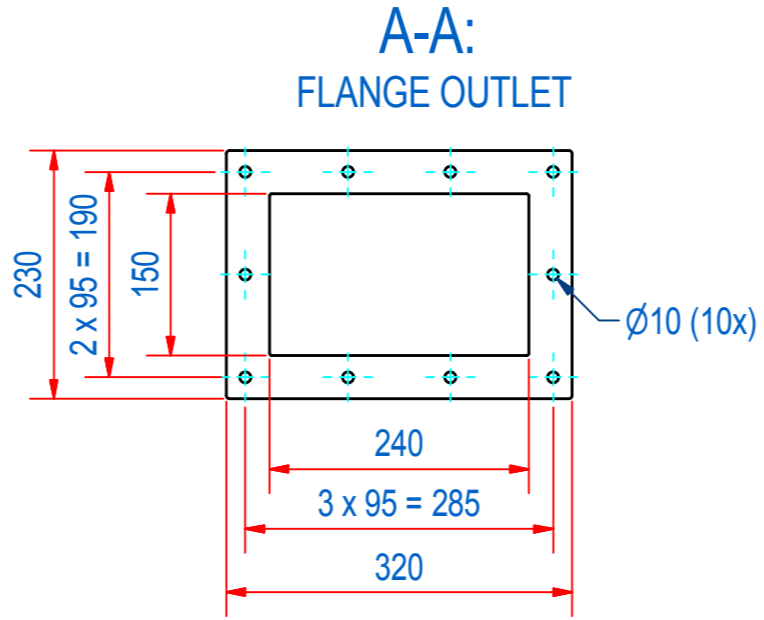
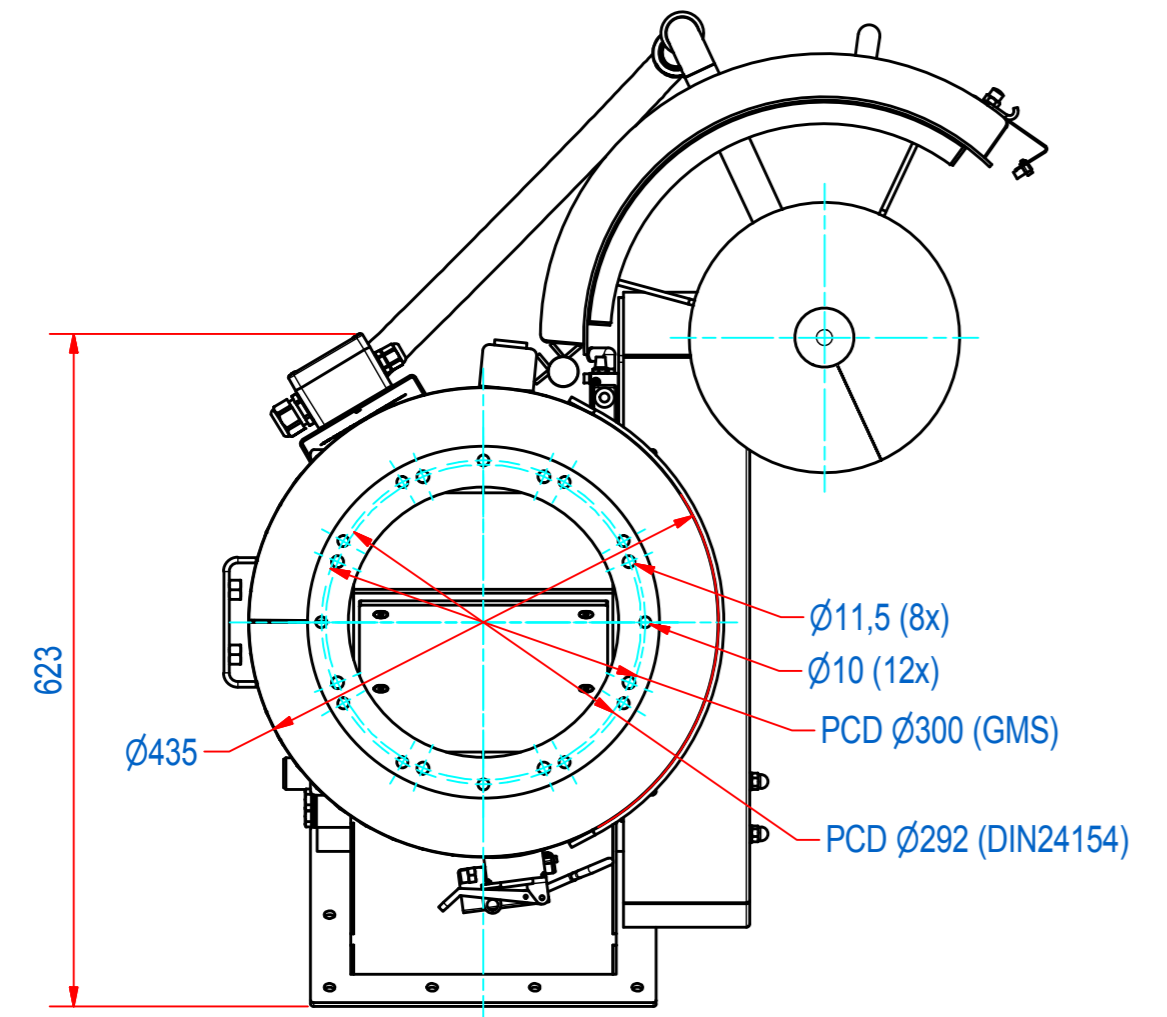


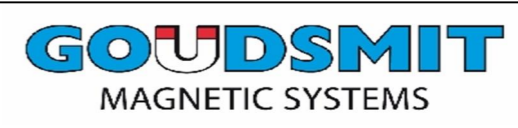
3	2	1
REV	DATE	BY
-	6-1-2014	AvD
		DESCRIPTION
		ORIGINAL INVENTOR DRAWING



ITEM	QTY	PART NUMBER	DESCRIPTION	Dimensions
7	48	70.0200008	WASHER M 8 - A2	M 8
6	24	60.0200008	NUT, HEX M8 - A2	M8
5	24	50.1208025	BOLT, HEX M8x25 - A2	M8x25
4	2	SGAF242431	GASKET 320x240 MVQ SILICONE	
3	1	E0004691	RED #240/D250/H75	
2	1	SPKK240007	SPKK-S-240-500-C-NA	
1	1	SPEE000063	SPA-3-B-TC-OS-ST-NA-D	

RAW MAT.	QTY	MAT. NUMBER	MAT. DESCRIPTION	LENGTH (mm)	WIDTH (mm)
	1				

Sheet: A2	Extra info:	General tolerance: ISO 2768 - mK
Drawn: CR	Weight (kg): 194,4	Drawn according: ISO268; ISO1101; ISO2553
Date: 19-12-2013		Status: Standard
Spare part: False		Customer reference number:
Quick search: EM3		File number: SPEA001063
Description: SPA-3-V-TC-FO-ST-NA-D-B		Part number: SPEA001063



© All rights reserved. Reproduction is not permitted without written permission of GOUDSMIT Magnetic Systems BV