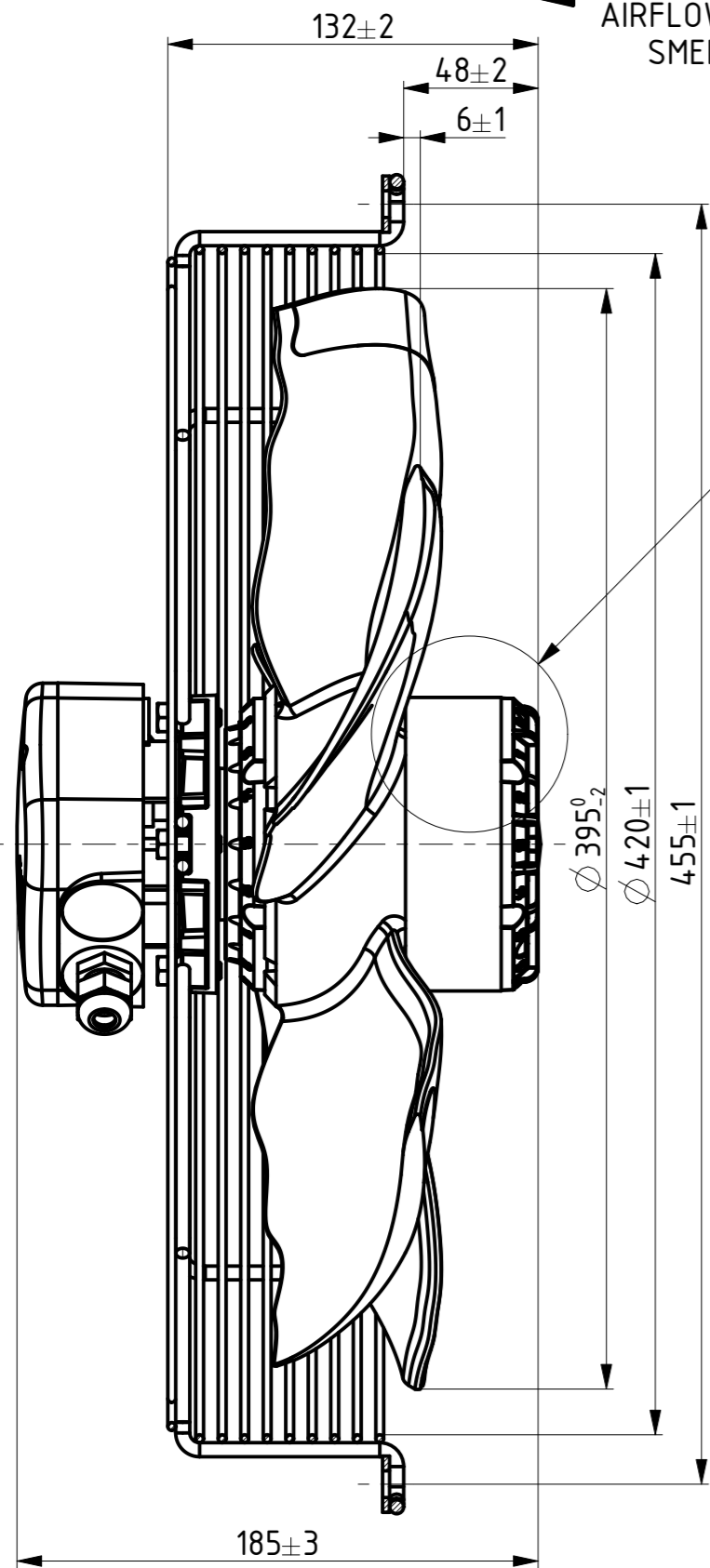
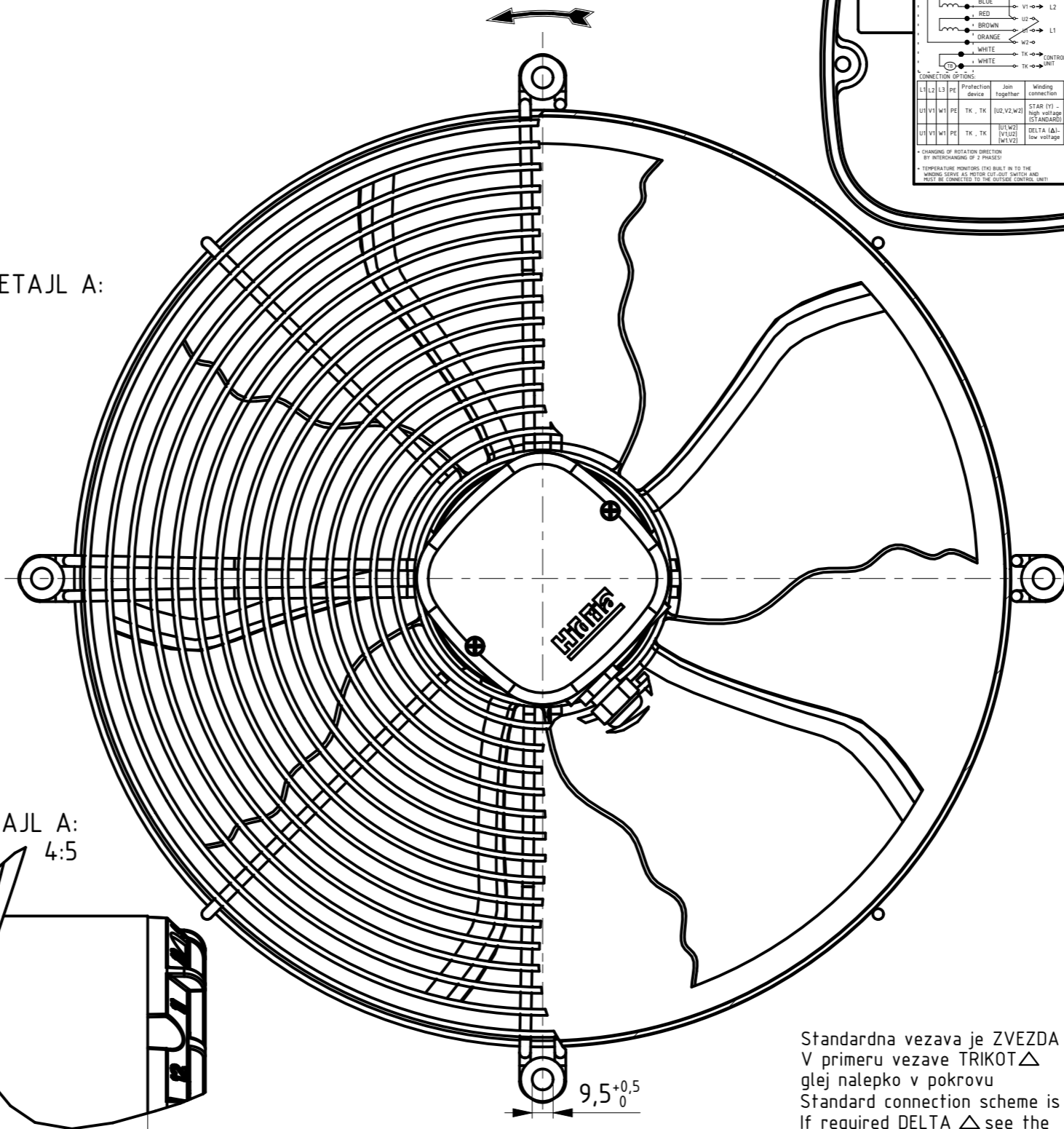


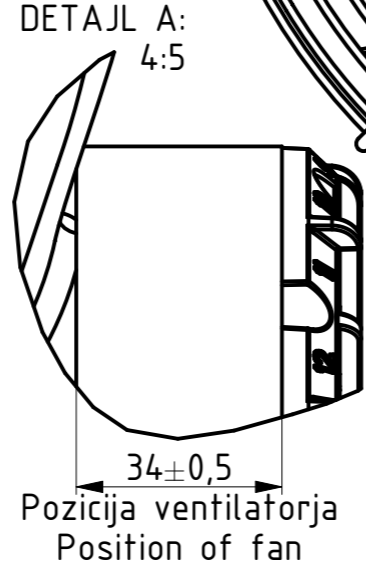
All drawings, regardless of form, are owned by Hidria Rotomatika d.o.o. and are strictly confidential and present copyright. Intellectual Property Rights as follows rights under the laws of patents, petty patents, design patents and registered designs, copyrights, trade secret rights, and similar exclusive rights in industrial property connected with the drawings are reserved by Hidria Rotomatika d.o.o.. Disclosure to any third party is strictly forbidden.



SUCKING
AIRFLOW DIRECTION
SMER ZRAKA

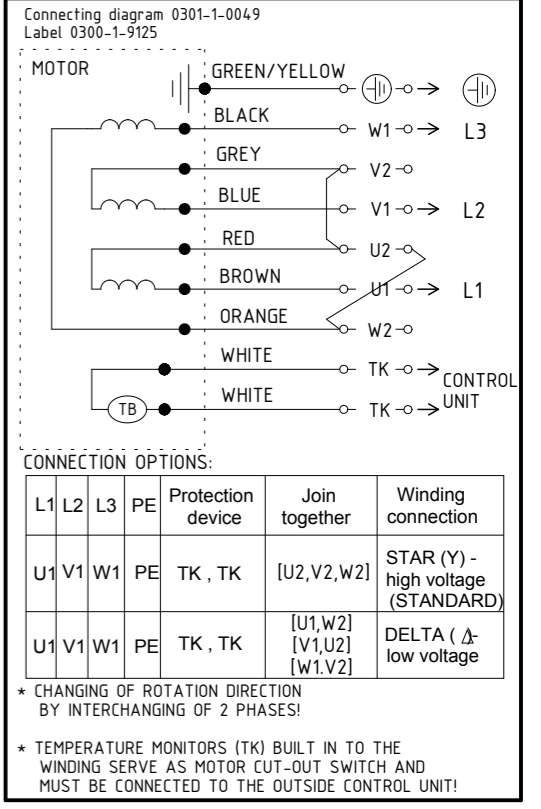
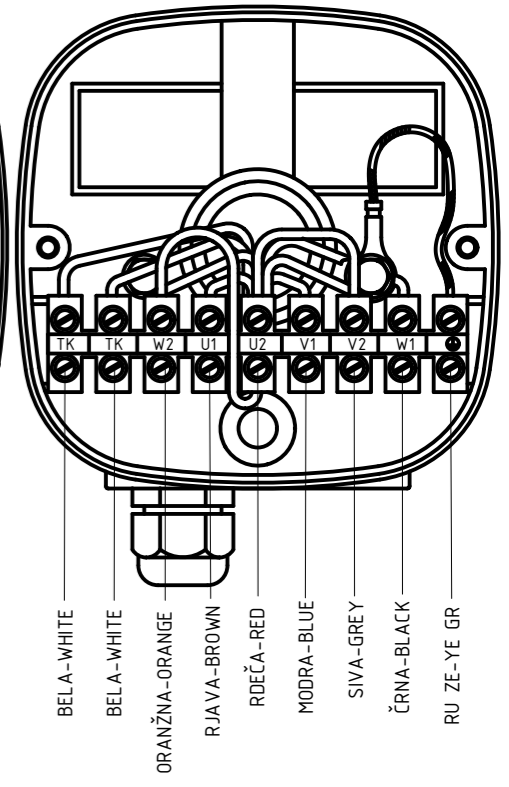
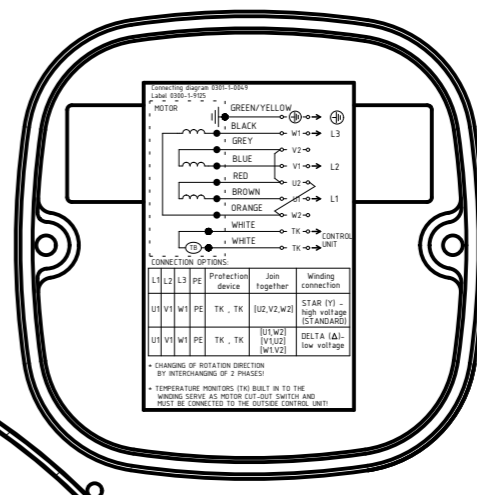


DETAJL A:



Pozicija ventilatorja
Position of fan

Standardna vezava je ZVEZDA Y
V primeru vezave TRIKOT Δ
glej nalepko v pokrovu
Standard connection scheme is STARY
If required DELTA Δ see the
connection diagram in the cover



Opomba:
Navodila za kontrolo ventilatorja 0301-1-4647
Checking instructions fo fan 0301-1-4647

Hidria MADE IN SLOVENIA **CE** DATE

R11R-40LPS-4T-3854 0311-4-0316
 3~Y400/D230V 50Hz 190W 0,38/0,66A 1360RPM
 MAX.AMB.60° C IP54 INS.CL.155
 TH.PROT. ROT. →
 ErP: Effes=31,1% (A,static) N=4,6

1	B	Nalepko s podatki se uskladi z zahtevami ErP. Spremeni se verzija z AA v AB. Risba v Windchillu je skladna z risbo v arhivu.	09.04.13	Samuel B.
Št.spremembe: Change nbr.:	Verzija: Revision:	Opis spremembe: Description of change:	Datum: Date:	Izdajatelj: Produced:
MERIL/FORMAT 2:5 / A3	PDM VERZIJA PDM VERSION B.2	NETOLERIRANE MERE UNTOLERANCED DIM. ISO 2768-m	NAZIV: TITLE: VENTILATORJI R11R-40LPS-4T-3854	
Potrjeno/Approved		POVRŠINSKA OBD. SURFACE TEXTURE	KODA: CODE: 0311-4-0316	
Hidria		MATERIAL	VERZIJA ARTIKLA: REVISION ARTICLE: AB	LIST: SHEET: 1
RISAL	22.11.10	Uroš K.	OD: OF: 1	
PROJEKTIRAL	22.11.10	Matej B.		