

MX06 – 1/4" DIGITAL FLOW METERS

SUITABLE FOR FLOW RANGE 0.13-26GPH



MX06P-1SE
Stainless steel body with LCD register

Output variations:



B - Ex approved (Ex ia)
Intrinsically Safe - NPN
N - Ex approved (Ex ia)
Intrinsically Safe - NAMUR
T - High Temp. Pulse
Max temp- 150°C



F - ER
LCD Display (17mm)
G- ERA
LCD Display (17mm)
H- ERB
LCD Display (17mm)
Batch controller



D - PR
LCD Display (12mm)
E - PRA
LCD Display (12mm)
with outputs



A - Standard Pulse
Reel/Hall Effect
I - Standard Pulse
Reel/Reed Effect
J - Standard Pulse
Hall/Hall Effect
K - High Resolution
Hall NPN

The MX06 1/4" Digital Flow Meters are suitable for flows between 0.13-26GPH. The 1/4" Digital Flow Meters have an accuracy of +/- 0.5% and provides exceptional levels of reliability and durability.

SPECIFICATIONS

	MX06F	MX06S	MX06P
Materials of Construction			
Meter Body	Aluminium (6061)	Aluminium (6061)	Stainless Steel (316)
Rotor	PPS	Stainless Steel (316)	PPS Stainless Steel (316)
Seals	Fluorocarbon (FKM)	PTFE Encapsulated (FEP)	PTFE Encapsulated (FEP)
Design Specifications			
Process Connections	1/4" G 1/4" NPT	1/4" G 1/4" NPT	1/4" G 1/4" NPT
Technical Specifications			
Flow rate	<5cP 2-100L/hr 0.5-26USG/hr	<5cP 2-100L/hr 0.5-26USG/hr	<5cP 2-100L/hr 0.5-26USG/hr
	>5cP 0.5-100L/hr 0.13-26USG/hr	>5cP 0.5-100L/hr 0.13-26USG/hr	>5cP 0.5-100L/hr 0.13-26USG/hr
Non-lubricating fluids	6-100L/hr 1.58-26USG/hr	6-100L/hr 1.58-26USG/hr	6-100L/hr 1.58-26USG/hr
Operating Temperature Range*	-40 - 80°C -40 - 176°F	-40 - 120°C -40 - 248°F	-40 - 80°C (150°C with high temp. rotors) -40 - 176°F (302°F with high temp. rotors)
Max. Operating Pressure	1000psi 69bar	1000psi 69bar	1000psi 69bar
Accuracy	+/- 0.5%	+/- 0.5%	+/- 0.5%
Repeatability	+/- 0.03%	+/- 0.03%	+/- 0.03%
Nominal K-Factor	3,785.41 Pulses/Gallon	3,785.41 Pulses/Gallon	3,785.41 Pulses/Gallon

*Temperature based on standard pulse output - subject to change dependant on rotor and output type, contact Macnaught technical support for further investigations

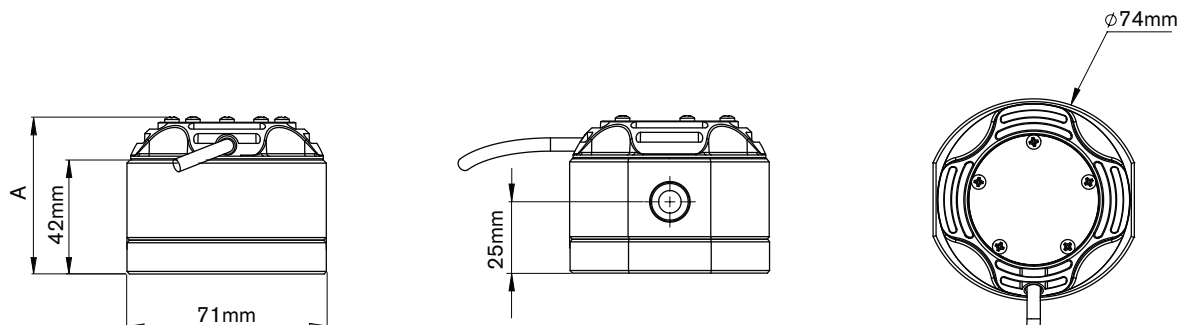
OUTPUT TYPES

	DESCRIPTION	SWITCH TYPE	OUTPUT TYPE	MX06F	MX06S	MX06P
X	No Output	-	No Output	●	●	●
A	Standard Pulse	Reed /Hall (NPN)	Pulse (1m flying lead)	●	●	●
B	Ex approved (Ex ia)	Hall (NPN)	Pulse (2m DIN cable)	—	●	●
D	PR (LCD 12mm display)	-	Display 12mm	●	●	●
E	PRA (LCD 12mm display)	-	Display 12mm, 4-20mA output, Pulse	●	●	●
F	ER (LCD 17mm display)	-	Display 17mm	●	●	●
G	ERA (LCD 17mm display)	-	Display 17mm, 4-20mA output, Pulse	●	●	●
H	ERB (LCD 17mm display)	-	Display 17mm + Batch Control	●	●	●
N	Ex Approved (Ex ia NAMUR)	NAMUR	Pulse (2m DIN cable)	—	●	●
T	High Temp. Pulse/erture	Hall (NPN)	Pulse	✗	S	S
I	Reed/Reed	Reed/Reed	Pulse (1m flying lead)	—	—	—
J	Hall/Hall	Hall/Hall	Pulse (1m flying lead)	—	—	—
K	High Resolution (omnipolar)	Hall (NPN)	Pulse (1m flying lead)	—	—	—

● Available ✗ Not Available S Only with stainless steel rotors — Consult Macnaught Technical regarding availability

MX-SERIES FLOW METERS

DIMENSIONS



PULSER AND DISPLAY HEIGHT - A

