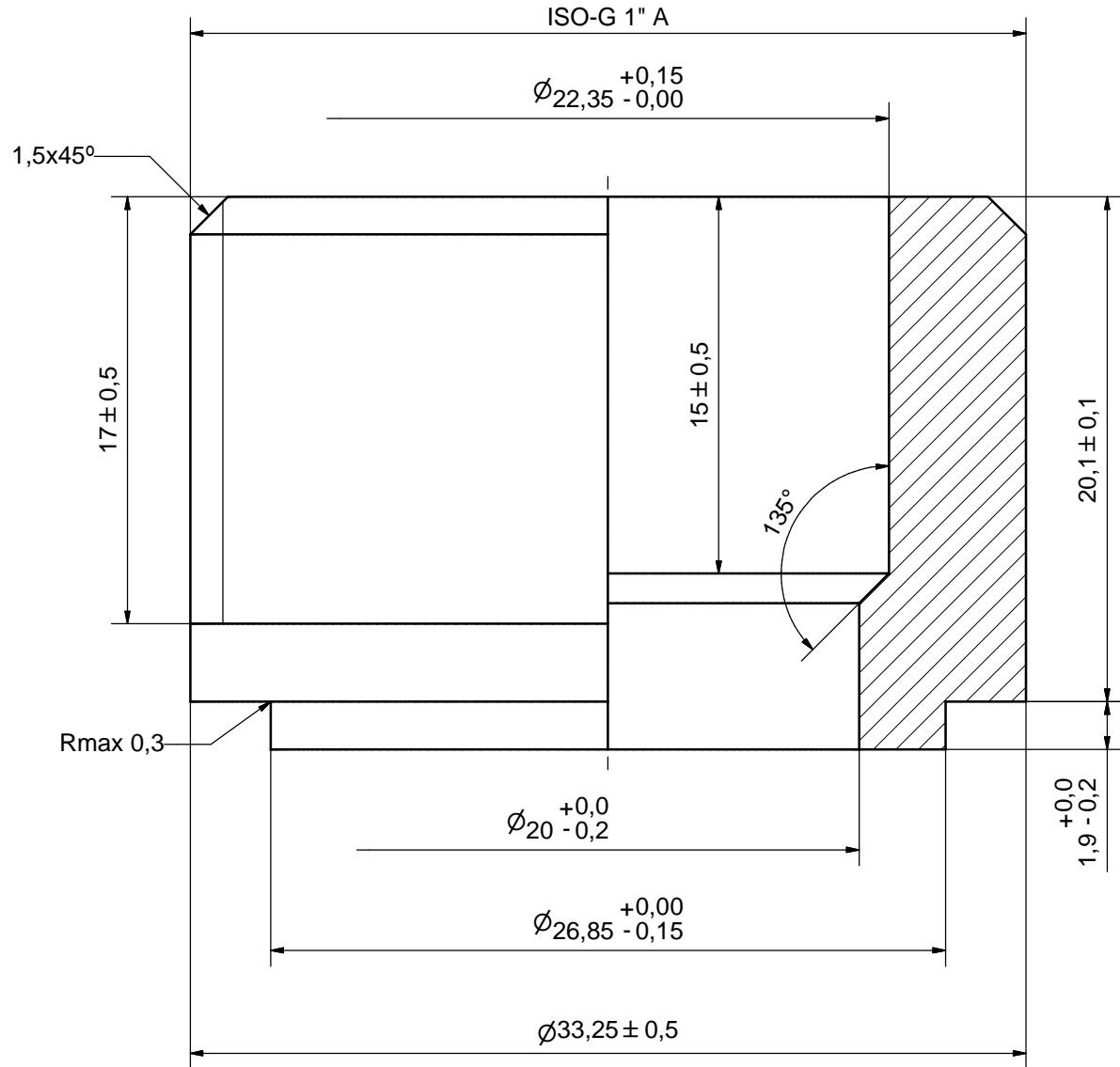
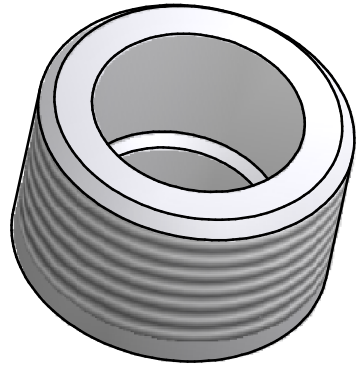


Rev No.	Alteration	Date	Checked	Approved
1	CHANGED DENOMIATION	2007/05/28	ANL	PDM



ACCORDING TO MQS
MATERIAL

Drawn	Checked	Approved	Created Date	General geometrical tolerancing ISO 2768	General surface finish R_a	Scale
THE	PDM	PDM	2006/05/09	m	3.2	5:1
SWEP <small>A DOVER COMPANY</small>				ISO-G 1" A & SOLDER 22U		
Article number		Drawing number		Revision	Sheet	
-		CD000806		1	1 (1)	