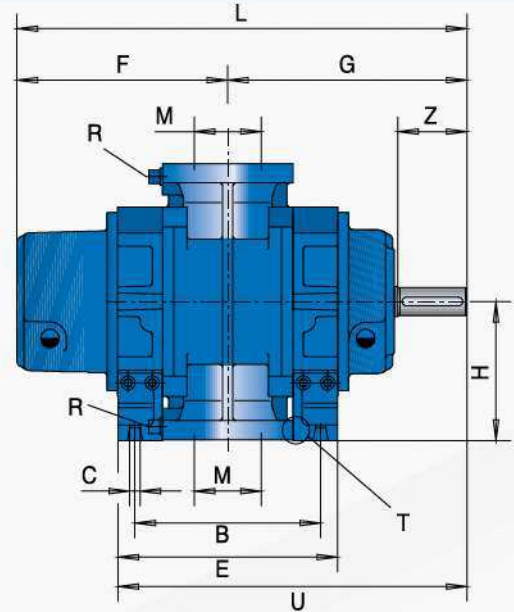
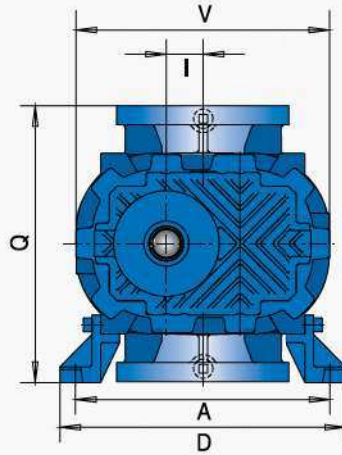
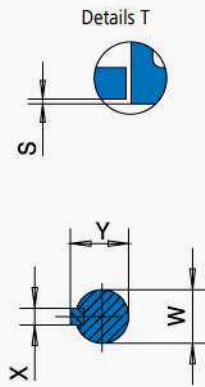


DIMENSIONS AND WEIGHTS



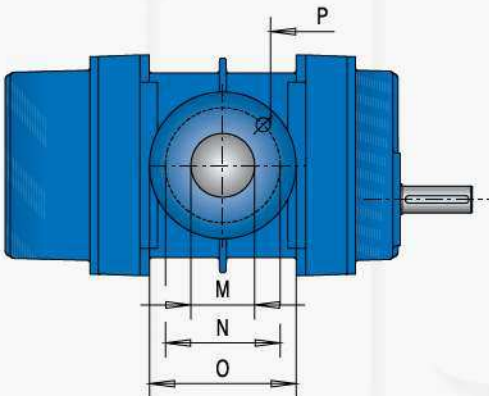
Dimension W with k6 tolerance up to 50 mm – m6 over 50 mm

R pressure gauge connection G3/8"

Type	A	B	C	D	E	F	G	H-0.5	I	L	M	Q	S	U	V	W	Z	X	Y	Weight(Kg)
RBS 15	200	175	13	248	205	200	191	112	34.0	391	50	223	1	294	252	24	50	8	27.0	36
RBS 25	200	210	13	248	240	218	208	112	34.0	426	65	223	1	328	252	24	50	8	27.0	41
RBS 35	295	215	12	331	251	243	265	160	42.5	508	80	319	1	392	295	38	80	10	41.0	85
RBS 45	295	275	12	331	311	273	295	160	42.5	568	80	319	1	452	295	38	80	10	41.0	97
RBS 46	295	375	12	331	411	324	345	160	42.5	669	100	319	1	552	295	38	80	10	41.0	117
RBS 55	340	276	14	385	322	309	330	185	53.5	639	100	369	1	491	345	48	110	14	51.5	144
RBS 65	340	341	14	385	387	340	361	185	53.5	701	150	369	1	555	345	48	110	14	51.5	160
RBS 66	340	451	14	385	497	396	417	185	53.5	813	150	369	1	665	345	48	110	14	51.5	193
RBS 75	370	316	18	420	369	345	365	225	67.5	710	150	449	1	549	415	55	110	16	59.0	210
RBS 85	370	431	18	420	482	405	423	225	67.5	828	150	449	1	665	415	55	110	16	59.0	250
RBS 85 INOX	370	451	18	420	502	415	433	225	67.5	848	150	449	1	685	415	55	110	16	59.0	250
RBS 86	370	541	18	420	592	460	478	225	67.5	938	200	449	1	775	415	55	110	16	59.0	316
RBS 95	430	406	18	486	462	415	449	265	84.0	864	150	529	1	676	522	60	140	18	64.0	360
RBS 105	430	501	18	486	557	463	497	265	84.0	960	200	529	1	771	522	60	140	18	64.0	400
RBS 105 INOX	430	521	18	486	577	473	507	265	84.0	980	200	529	1	795	522	60	140	18	64.0	400
RBS 106	430	651	18	486	707	538	572	265	84.0	1110	200	529	1	921	522	60	140	18	64.0	440
RBS 115	550	480	22	640	536	473	513	300	106.0	986	200	599	1	781	618	70	140	20	74.5	540
RBS 125	550	590	22	640	646	528	568	300	106.0	1096	250	599	1	891	618	70	140	20	74.5	605
RBS 125 INOX	550	610	22	640	666	538	578	300	106.0	1116	250	599	1	911	618	70	140	20	74.5	605
RBS 126	550	790	22	640	846	628	668	300	106.0	1296	250	599	1	1091	618	70	140	20	74.5	670
RBS 135	680	542	26	770	600	538	592	360	135.0	1130	250	719	1	892	790	85	170	22	90.0	910
RBS 145	680	747	26	770	805	641	695	360	135.0	1336	300	719	1	1098	790	85	170	22	90.0	1040
RBS 145 INOX	680	767	26	770	825	651	705	360	135.0	1356	300	719	1	1118	790	85	170	22	90.0	1040
RBS 155	680	897	26	770	955	716	770	360	135.0	1486	300	719	1	1248	790	85	170	22	90.0	1180
RBS 165	800	750	30	920	825	676	750	400	170.0	1426	300	798	2	1163	974	100	210	28	106.0	1790
RBS 175	800	970	30	920	1045	786	860	400	170.0	1646	350	798	2	1383	974	100	210	28	106.0	1890
RBS 175 INOX	800	994	30	920	1069	798	872	400	170.0	1670	350	798	2	1407	974	100	210	28	106.0	1890
RBS 205	1020	890	36	1140	970	793	836	500	213.0	1629	400	998	2	1321	1203	120	210	32	127.0	2870
RBS 225	1020	1240	36	1140	1320	968	1011	500	213.0	1979	500	998	2	1671	1203	120	210	32	127.0	3270

*In the case of RBS INOX - PRV, contact for the relative sizes.

FLANGE DRILLING



PN10 UNI-EN 1092-2 o ANSI 125 FF

UNI PN10

No. holes

M(DN)	N	O	P	No. holes
50	125	165	18	4
65	145	185	18	4
80	160	200	18	4
100	180	230	18	8
125	214	255	22	8
150	240.2	285	23	8
200	296	340	23	8
250	350	405	24	12
300	400	475	24	12
350	460	525	22	16
400	515	590	25	16
500	620	690	25	20

ANSI 125 FF

No. holes

M(inch)	N	O	P	No. holes
2"	120.6	165	18	4
2-1/2"	139.7	185	18	4
3"	152.4	200	18	4
4"	190.5	230	18	8
5"	214	255	22	8
6"	240.2	285	23	8
8"	296	340	23	8
10"	362	405	24	12
12"	431.8	475	24	12
14"	476.2	525	29	12
16"	539.7	590	29	16
20"	635	690	32	20

PLEASE, NOTE:

Non-binding dimensions in mm - Flow direction: downwards from above.