

Ordering details



Type	Content	Lamp / Illuminant	Reflector	Rated luminous flux ¹⁾	Weight	Metal thread	Threaded plug	Order No.
PX								
PX 0405	-20 °C up to +55 °C IQT - 500 W		narrow beam	10000 lm	23 kg	2 x M25,	1 x M25	NOR 000 115 170 209
PX 0405	-20 °C up to +55 °C IQT 500 W		wide beam	10000 lm	23 kg	2 x M25,	1 x M25	NOR 000 115 170 309
PX 0407	-20 °C up to +55 °C HIT / HST 70 W		narrow beam	7500/6000 lm	23 kg	2 x M25,	1 x M25	NOR 000 115 170 230
PX 0415	-20 °C up to +55 °C HIT / HST 150 W		narrow beam	14000/15000 lm	31 kg	2 x M25,	1 x M25	NOR 000 115 170 233
PX 0415	-20 °C up to +55 °C HIT / HST 150 W		wide beam	14000/15000 lm	31 kg	2 x M25,	1 x M25	NOR 000 115 170 333
PX 0425	-20 °C up to +55 °C HIT / HST 250 W		narrow beam	25000/28000 lm	31 kg	2 x M25,	1 x M25	NOR 000 115 170 227
PX 0425	-20 °C up to +55 °C HIT / HST 250 W		wide beam	25000/28000 lm	31 kg	2 x M25,	1 x M25	NOR 000 115 170 327
PX 0425M	-20 °C up to +55 °C HME 400 W		narrow beam	13000 lm	31 kg	2 x M25,	1 x M25	NOR 000 115 170 257
PX 0440H	-20 °C up to +55 °C HIT 400 W		narrow beam	35000 lm	31 kg	2 x M25,	1 x M25	NOR 000 115 170 222
PX 0440H	-20 °C up to +55 °C HIT 400 W		wide beam	35000 lm	31 kg	2 x M25,	1 x M25	NOR 000 115 170 322
PX 0440M	-20 °C up to +55 °C HME 400 W		narrow beam	22000 lm	31 kg	2 x M25,	1 x M25	NOR 000 115 170 251
PX 0440S	-20 °C up to +55 °C HST 400 W		narrow beam	48000 lm	31 kg	2 x M25,	1 x M25	NOR 000 115 170 221
PX 0440S	-20 °C up to +55 °C HST 400 W		wide beam	48000 lm	31 kg	2 x M25,	1 x M25	NOR 000 115 170 321
PX 0460	-20 °C up to +55 °C HST 600 W		narrow beam	90000 lm	31 kg	2 x M25,	1 x M25	NOR 000 115 170 215
PX 0460	-20 °C up to +55 °C HST 600 W		wide beam	90000 lm	31 kg	2 x M25,	1 x M25	NOR 000 115 170 315



Type	Content	Lamp / Illuminant	Reflector	Rated luminous flux ¹⁾	Weight	Metal thread	Threaded plug	Order No.
FLT								
FLT 1007	-55°C up to +55 °C HIT / HST 70 W		wide beam	7500/6000 lm	41 kg	2 x M25,	1 x M25	FLT10 0 07271 W002
FLT 1007	-55°C up to +55 °C HIT / HST 70 W		narrow beam	7500/6000 lm	41 kg	2 x M25,	1 x M25	FLT10 0 07271 N002
FLT 1010	-55°C up to +55 °C HIT / HST 100 W		wide beam	10000/9000 lm	41 kg	2 x M25,	1 x M25	FLT10 0 10401 W002
FLT 1010	-55°C up to +55 °C HIT / HST 100 W		narrow beam	10000/9000 lm	41 kg	2 x M25,	1 x M25	FLT10 0 10401 N002
FLT 1015	-55°C up to +55 °C HIT / HST 150 W		wide beam	14000/15000 lm	41 kg	2 x M25,	1 x M25	FLT10 0 15401 W002
FLT 1015	-55°C up to +55 °C HIT / HST 150 W		narrow beam	14000/15000 lm	41 kg	2 x M25,	1 x M25	FLT10 0 15401 N002
FLT 1025	-55°C up to +55 °C HIT / HST 250 W		wide beam	25000/28000 lm	41 kg	2 x M25,	1 x M25	FLT10 0 25401 W002
FLT 1025	-55°C up to +55 °C HIT / HST 250 W		narrow beam	25000/28000 lm	41 kg	2 x M25,	1 x M25	FLT10 0 25401 N002
FLT 1040	-55°C up to +40 °C HIT 400 W		wide beam	35000 lm	41 kg	2 x M25,	1 x M25	FLT10 I 40401 W002
FLT 1040	-55°C up to +40 °C HIT 400 W		narrow beam	35000 lm	41 kg	2 x M25,	1 x M25	FLT10 I 40401 N002
FLT 1040	-55°C up to +40 °C HST 400 W		wide beam	48000 lm	41 kg	2 x M25,	1 x M25	FLT10 S 40401 W002
FLT 1040	-55°C up to +40 °C HST 400 W		narrow beam	48000 lm	41 kg	2 x M25,	1 x M25	FLT10 S 40401 N002

¹⁾ depends on used lamps

Scope of delivery without lamp and fixing accessories, if not stated otherwise.
Metal cable glands see catalogue part 2: 2.3.12 ff

Accessories



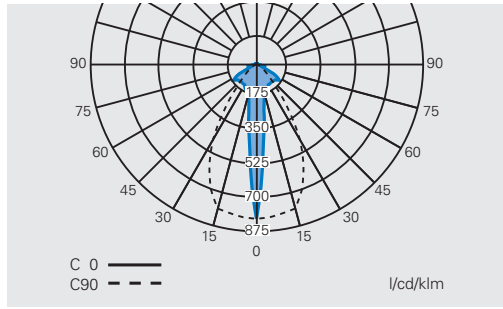
Type	Content	Application	OU	Order No.
SB	2 St pipe clamp Ø 48 mm up to Ø 64 mm incl. fixing screws	PX 04 / FLT 10	1	NOR 000 005 170 583
ATP	portable stand, painted steel	PX 04 / FLT 10 ..	1	NOR 000 005 170 715
PAH	horizontal steel shade, painted steel	PX 04 / FLT 10 ..	1	NOR 000 005 170 608
PAV	vertical steel shade, painted steel	PX 04 / FLT 10 ..	1	NOR 000 005 170 591
HIT 250 W	Metal halide lamp 250 W E40	PX 04 / FLT 10 ..	1	CGS 323 7990 P1007
HIT 400 W	Metal halide lamp 400 W E40	PX 04 / FLT 10 ..	1	CGS 323 7990 P1008
HST 250 W	High pressure sodium lamp 250 W E40	PX 04 / FLT 10 ..	1	CGS 323 8600 P1009
HST 400 W	High pressure sodium lamp 400 W E40	PX 04 / FLT 10 ..	1	CGS 323 8700 P1009
HST 70 W	High pressure sodium lamp 70 W E40	PX 04 / FLT 10		3 1750 301 070

4.5

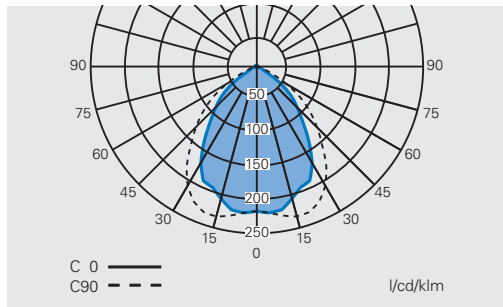
Dimension drawing / Polar curve

PX 04 / FLT 10

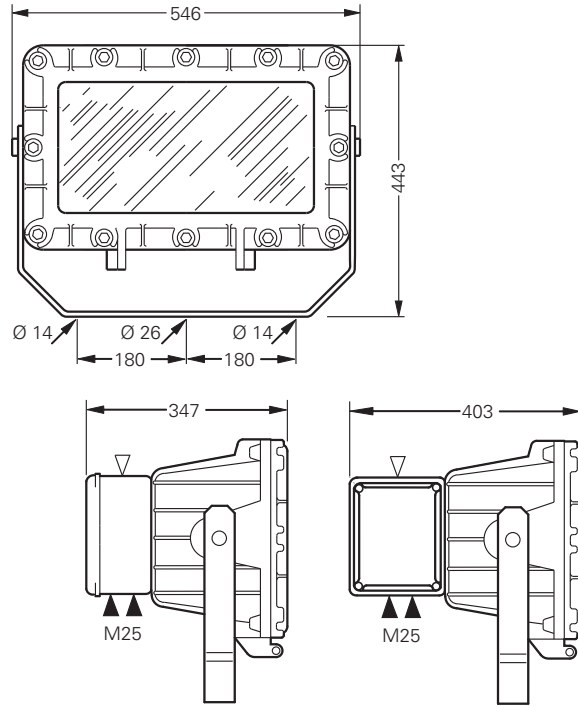
Polar curve with narrow beam reflector



Polar curve with wide beam reflector

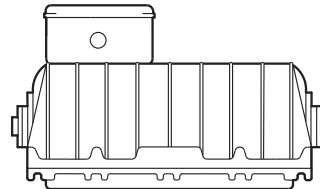


PX 04 and FLT 10

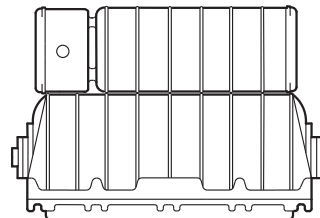


▷ optional entry, on request
 ▶ entry

without ballast for QT- and HME-SB-lamps



with ballast for all high pressure discharge lamps



Dimensions in mm



Technical data

4

	PX 04	FLT 10
EC-Type Examination Certificate	BVS 09 ATEX E 050 X	BVS 09 ATEX E 050 X
IECEX Certificate of Conformity	IECEX BVS-10.0009X	IECEX BVS-10.0009X
Marking accd. to 94/9/EC	⊕ II 2G Ex de IIB T2-T4 ¹⁾ Gb ⊕ II 20 Ex tb IIIC T85°C-T210°C ¹⁾ Db IP66	⊕ II 2G Ex de IIB T3-T4 ¹⁾ Gb ⊕ II 20 Ex tb IIIC T130°C-T190°C ¹⁾ Db IP66
Marking accd. to IECEx	Ex de IIB T2-T4 Ex tD A21 IP66 T85°C - 210°C	Ex de IIB T3-T4 Ex tD A21 IP66 T130°C - 190°C
Permissible ambient temperature	-20 °C up to +55 °C	-55°C up to +55 °C
Rated voltage without control gear	≤ 250 V AC	--
Rated voltage with control gear	230 V AC	230 V AC
Frequency	50 Hz	50 Hz
Power factor cos φ	> 0.85	> 0.85
Circuit	compensated circuit	compensated circuit
Protection class	I	I
Lamp name	High pressure sodium lamp HST, Metal halide lamp HIT, Mercury vapour lamp HME	High pressure sodium lamp HST, Metal halide lamp HIT, Mercury vapour lamp HME
Rated luminous flux	²⁾	²⁾
Lamp cap	E40 accord. IEC 60238	E40 accord. IEC 60238
Light efficiency in operation	62 %	60 %
Dimensions (L x W x H)	546 x 443 x 396 mm	546 x 443 x 403 mm
Connecting terminals	L1, N: 2 x 4 mm ² ; PE: 2 x 6 mm ²	L1, N: 2 x 4 mm ² ; PE: 2 x 6 mm ²
Enclosure earth	2 x 6 mm ²	2 x 6 mm ²
Enclosure colour	grey	grey
Enclosure material	Light alloy	Light alloy
Weight	31 kg	41 kg
Cable glands / gland plates / enclosure drilling	Indirect entries 2 x M25 x 1.5 thread 1 x plugged M25 screw plug	Indirect entries: 2 x M25 x 1.5 thread 1 x plugged M25 screw plug
Type of mounting	ceiling mounting	ceiling mounting
Degree of protection accd. to EN 60529	IP66	IP66
Protective cover / protective bowl	borosilicate glass	borosilicate glass
Reflector	polished aluminium reflector	polished aluminium reflector

¹⁾ see table page 1.4.36

²⁾ see table luminaire data S. 1.4.36

Additional luminaire data PX 04

Lamp	Power	Rated luminous flux ¹⁾	Temperature class II 2 G		max. surface temp. II 2 D	
			T _U ≤ 40 °C	T _U ≤ 55 °C	T _U ≤ 40 °C	T _U ≤ 55 °C
PX 0407	HS - 70 W	6000 lm	T4	T4	T85 °C	T100 °C
PX 0407	HI. - 70 W	5100 lm	T4	T4	T90 °C	T105 °C
PX 0415	HS. - 150 W	15000 lm	T4	T4	T115 °C	T130 °C
PX 0415	HI. - 150 W	11000 lm	T4	T4	T105 °C	T120 °C
PX 0425	HS. - 250 W	28000 lm	T4	T3	T130 °C	T145 °C
PX 0425	HI. - 250 W	19000 lm	T4	T3	T130 °C	T145 °C
PX 0425	HME - 250 W	13000 lm	T3	T3	T150 °C	T165 °C
PX 0440	HST - 400 W	48000 lm	T3	T3	T175 °C	T190 °C
PX 0440	HIT - 400 W	33000 lm	T3	T3	T170 °C	T185 °C
PX 0440	HME - 400 W	22000 lm	T3	T2	T186 °C	T201 °C
PX 0460	HST - 600 W	90000 lm	T3	T2	T195 °C	T210 °C
PXI 0405	IQT - 500 W	10000 lm	T3	T2	T185 °C	T200 °C

¹⁾ depends on used lamps

Additional luminaire data FLT 10

Lamp	Power	rated luminous flux ¹⁾	Temperature class II 2 G		max. surface temp. II 2 D	
			T _U ≤ 40 °C	T _U ≤ 55 °C	T _U ≤ 40 °C	T _U ≤ 55 °C
FLT 1007	HS - 70 W	6000 lm	T4	T4	T115 °C	T130 °C
FLT 1007	HI. - 70 W	5100 lm	T4	T4	T115 °C	T130 °C
FLT 1015	HS. - 150 W	15000 lm	T4	T4	T115 °C	T130 °C
FLT 1015	HI. - 150 W	11000 lm	T4	T4	T115 °C	T130 °C
FLT 1025	HS. - 250 W	28000 lm	T4	T3	T145 °C	T160 °C
FLT 1025	HI. - 250 W	19000 lm	T4	T3	T145 °C	T160 °C
FLT 1040	HST - 400 W	48000 lm	T3	--	T190 °C	--
FLT 1040	HIT - 400 W	33000 lm	T3	--	T190 °C	--

¹⁾ depends on used lamps