

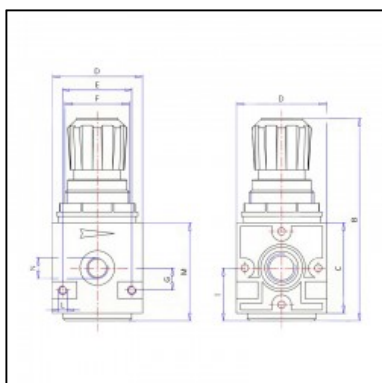
Regulator Newdeal - 1402003



Description

Piston-regulator Newdeal, connection G 1/2", flow rate 2500 l/min., maximum inlet pressure 18 bar

Highly reliable, heavy-duty piston-operated regulator.
Adjusted pressure stays constant despite pressure variations.
Standard overpressure blowoff valve.
Direct wall fixing or with distance.
Including pressure gauge.



Details

Connection	Female Thread G 1/2
max. inlet pressure	18
Flow rate in l/min	2500
Connection	Innengewinde G 1/2"
Seals	NBR
Dome	Technopolymer
Adjustment spring	Steel
Adjustment knob	Technopolymer
Adjusting screw	Messing Ms58
Body	Zamac
Piston	Technopolymer
Lip seal	NBR
Nut	Messing Ms58
Ring nut	Technopolymer
Bar	Brass Ms58
Plug	Technopolymer
Valve spring	Steel
Valve part	Vulcanized with NBR
Weight in kg	0.8170

Dimensions

A	60
B	130
C	60
D	60
EE	46
F	38 x 2
G	14
I	35
L	M4 suiting
M	70
N	1/8 pressure gauge connection

More Details:

